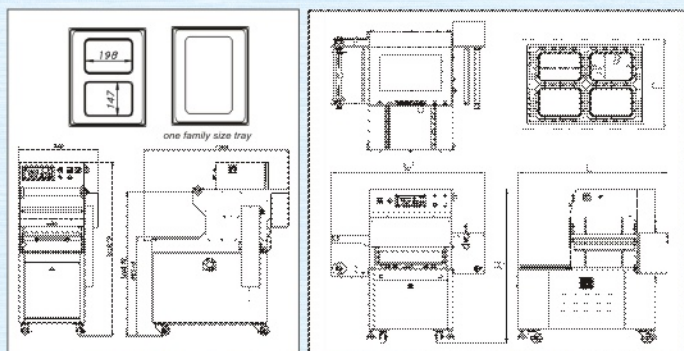


VT Series Tray Sealing Packaging Machines

MODELS	VT-400	VT-570
Tray Size (A) (B)	7.7"/196mm (Max.2 Trays) 5.7"/145mm	7.7"/196mm (Max.4 Trays) 5.7"/145mm
Tray Height	3.5"/90mm	3.5"/90mm
Film Diameter	O.D. (10"/255"/mm) I.D. (3"/76"/mm)	O.D. (10"/255"/mm) I.D. (3"/76"/mm)
Film Width (Maximum)	19.6"/500mm	19.6"/500mm
Vacuum Pump Capacity	40m ³ /h (2 hp/2kw)	63m ³ /h (3 hp/2.2kw)
Voltage	230V/3ph/60Hz/30amp	230V/3ph/60Hz/10amp
Machine Size LxWxH	47"x26"x60" 1185mmx649mmx1519mm	91.5"x52"x51" 2324mmx1320mmx1295mm
Machine Weight	760bs /345 kg	990 lbs / 450kg



VT-400

VT-570



Options

- Single phase motor available up to 100m³/h (5hp) pump
- Pump size • Voltage • Gas tank • Custom sizes are available

Standard Features:

- Heavy duty stainless steel construction
- Semi-automatic operation
- Automatic film advance and cutting system
- Computerized water resistant control panel (IP 56) (12 programs with oil indicator)
- Printed film registration system
- Busch vacuum pump

VT-109 Tray/Cup Sealing Machine

MODELS	VT-106	VT-109
Tray Size	7.7"/196mm 5.7"/145mm	7.7"/196mm 5.7"/145mm
Tray Height	Adjustable	3.5"/90mm
Film Web (Maximum)	8.5"/216mm	8.5"/216mm
Voltage	110V/1ph/60Hz	110V/1ph/60Hz
Machine Size LxWxH	14"x13"x12" 355mmx330mmx305mm	20"x14"x28" 508mmx355mmx711mm

Standard Features:

- Auto/ Semi-Automatic Operation
- Sensor/ Counter Film Indexing
- Temp. Control for Individual Container
- Seal One No.3 Tray/1-2 Cup(s)
- Air Pressure Assit for sealing
- Seal Up to 10 Cycles per Minute
- Compact Table Top Model

Optional Features:

- Custom Tray/Cup Die Set
- Floor Stand



VT-109 Cup Sealer



VT-109 Tray Sealer



VT-106 Tray Sealer

All specifications are subject to change without notice.