



Fresh ideas in foodservice equipment



Rotisserie/Convection Oven Combination

Model: VGG-CO

VGG-8 Rotisserie Oven with Convection Oven

When space is a prime consideration, BKI's two-in-one VGG-CO is the smart solution. Versatile and attractive, this hardworking unit gives supermarket delis double duty flexibility to cook and bake a wide array of delicious foods without taking up additional floor space. Its curved glass front is designed with merchandising in mind and offers excellent product visibility. Plus, the VGG touch screen controller lets you store up to fifteen custom programs for flexible cooking options. The VGG-CO is quality from top to bottom. The rotisserie cooks meats—up to 40 three-pound chickens in just 75 minutes—without high maintenance quartz tubes, while the convection oven bakes hot foods such as entrees, vegetables and breads to perfection. The VGG-CO is easy to service and features a cool-door design for added safety.

Agency Approvals:



Standard Features:

- VGG: 40-3lbs. chickens; CO: 7.14 cu.ft., 9 Rack Capacity
- 15 program modes
- Cool-door designed for safety

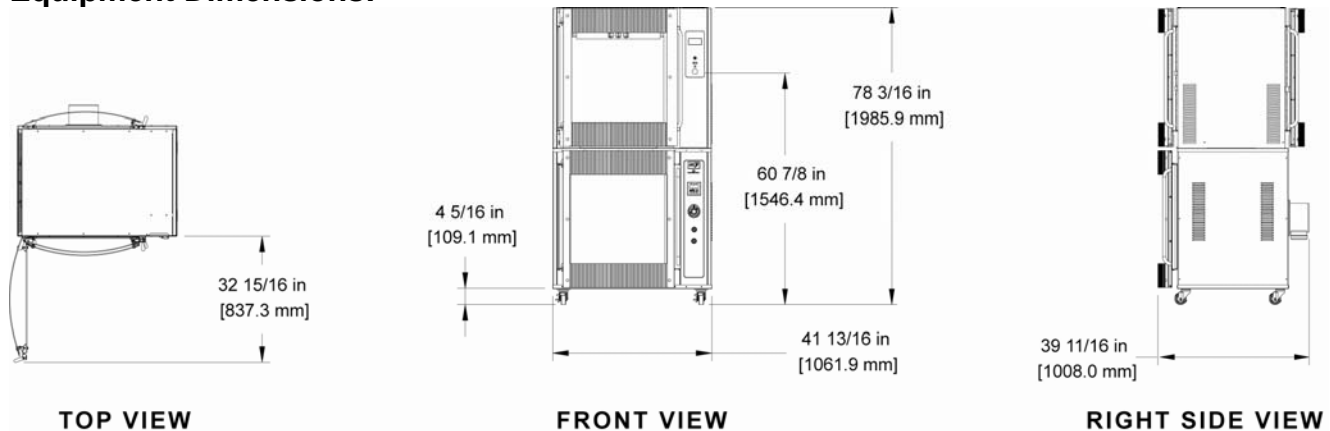
BKI North America
PO Box 80400
Simpsonville, SC 29680-0400 USA
Telephone: (864) 963-3471
Toll Free: (800) 927-6887

BKI Europe
Theale Technology Centre
Station Road • Theale
Reading • West Berkshire • RG7 4AA
Telephone: 0870 9904242 • Fax: 0870 9904243

 **Standex**
Food Service Equipment Group

VGG-CO

Equipment Dimensions:



Mechanical Specifications:

Dimension	Uncrated	Crated
Height	78 3/16" (1985.9 mm)	85" (2162.8 mm)
Width	41 13/16" (1061.9 mm)	45.5" (1157.8 mm)
Depth	39 11/16" (1008 mm)	43" (1094.1 mm)
Floor Space	11.5 sq. ft. (1.07 sq. m)	13.6 sq. ft. (1.26 sq. m)
Weight	890 lb. (428.6 kg)	920 lb. (417.3 kg)

Electrical Options:

VG					
Volts	Amps	KW	Breaker	Wires	Phase
208	35.7*	12.6*	50*	3	3
240	36*	14.6*	40*	3	3
CO					
Volts	Amps	KW	Breaker	Wires	Phase
208	37.9*	13.1*	50*	4	3
240	32.8*	13.1*	45*	3	3

* Ratings per oven cavity – a separate power supply is required for each oven cavity

Accessories

• BASKET, MEAT CHICKEN 4 GOOSERS (MB0037)
• MEAT BASKET (MB0038)
• MEAT FORK 27.1875 (MF0032)
• VEE SPIT (MF0038)
• 13" insulating mitts (G0052)

Options

• Pass-thru or solid back (VGG)
• Flat or curved glass
• Standalone VGG-8 Rotisserie – Specify VGG-8
• Standalone Convection Oven – Specify CO

BKI North America
PO Box 80400
Simpsonville, SC 29680-0400 USA
Telephone: (864) 963-3471
Toll Free: (800) 927-6887

BKI Europe
Theale Technology Centre
Station Road • Theale
Reading • West Berkshire • RG7 4AA
Telephone: 0870 9904242 • Fax: 0870 9904243

 **Standex**
Food Service Equipment Group