



Fresh ideas in foodservice equipment



Unit shown as three well, tiered self-serve heated display on a standard base (TSWG-3)

Configuration Highlights:

- 3, 4, and 5 well units available in self-serve tiered surface warmer configuration
- Display models include available options of a stainless steel or painted finish base, pedestal base, and protective bumper
- Option of glass or solid end panels on all cases
- Multiple display units can be connected, providing a "continuous run" look, by using available joining kit accessory

Global Series Tiered Heated Display Merchandiser

TSWG, Three, Four, and Five Well Systems

The BKI Global Series of heated display merchandisers are designed and engineered to provide operators maximum profitability in their hot food program by offering great flexibility and optimum holding capability.

TSWG tiered merchandisers are available in a variety of case lengths that increase display capacity of packaged hot foods.

All Global Series display merchandisers offer reliable and precise holding temperatures by providing upper and lower heat control from one centralized "TouchTEC" control.

Standard Features:

- Single, centralized control positioned on service side canopy for easy operator access and monitoring
- Centralized TouchTEC control sets both the tiered shelf and lower well independent heaters, enabling the operator to consistently hold packaged food items at their optimum temperature
- TouchTEC control provides precise and consistent temperature settings with built in program lock capability
- Recessed, shatter resistant, fluorescent lighting is not used as a heating source, providing maximum visibility and effective merchandising of displayed food items at all times
- Rear service doors are available in mirrored or clear glass and can be removed for easy case cleanup
- Fold down and removable cutting board is available in plastic or stainless steel for service side ease of operation
- All units are shipped with fluorescent lights and surface warmer racks

Available Accessories

- Digital read out food probe and receptacle
- Countertop adjustable legs
- Joining strip kit
- Sliding base doors for floor standing units
- Scale stand

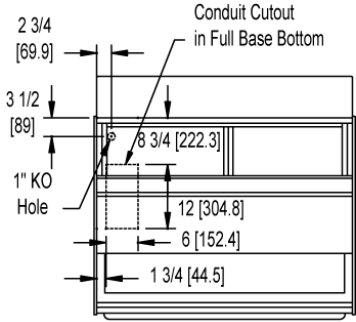
BKI North America
PO Box 80400
Simpsonville, SC 29680-0400 USA
Telephone: (864) 963-3471
Toll Free: (800) 927-6887

BKI Europe
Theale Technology Centre
Station Road • Theale
Reading • West Berkshire • RG7 4AA
Telephone: 0870 9904242 • Fax: 0870 9904243

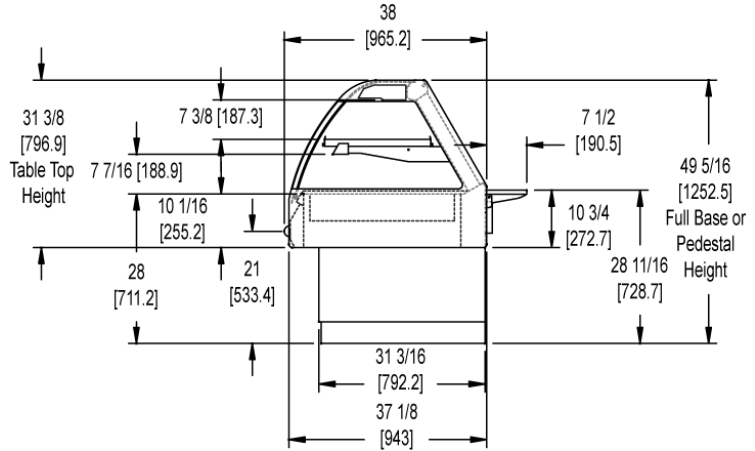


TSWG-3, TSWG-4, TSWG-5

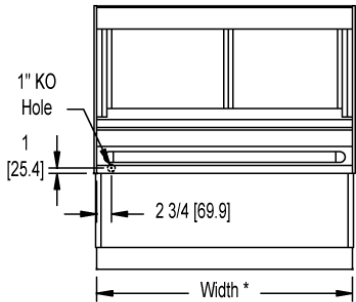
Dimensions: inches [millimeters]



TOP VIEW (TSWG-3, 4 & 5)



END VIEW (CURVED GLASS)



FRONT VIEW (TSWG-3, 4 & 5)

* Add 1/2 [12.7] for each Glass End
Add 3/4 [19.1] for each Solid End

Mechanical Specifications:

	TSWG-3	TSWG-4	TSWG-5
Width	42 in. [1067 mm]	55 1/2 in. [1410 mm]	69 in. [1753 mm]
Shipping Cube	95 sq. ft. (2.7 sq. m)	115 sq. ft. (3.3 sq. m)	135 sq. ft. (3.8 sq. m)
Floor Space	11.1 sq. ft. [1.0 sq. M]	14.6 sq. ft. [1.4 sq. M]	18.2 sq. ft. [1.7 sq. M]
Shipping Wt. (Table Top)	440 lb. [200 kg]	525 lb. [238 kg]	600 lb. [272 kg]
Shipping Wt. (Floor or Pedestal)	570 lb. [259 kg]	620 lb. [281 kg]	695 lb. [315 kg]

Electrical Options:

	TSWG-3					TSWG-4					TSWG-5				
	208	220	240	230/400	240/415	208	220	240	230/400	240/415	208	220	240	230/400	240/415
Volts	208	220	240	230/400	240/415	208	220	240	230/400	240/415	208	220	240	230/400	240/415
Phase	3/1	3/1	3/1	3/1	3/1	3/1	3/1	3/1	3/1	3/1	3/1	3/1	3/1	3/1	3/1
Amps	13.3/20.1	11.9/17.8	12.8/19.2	9.7/18.5	10.1/19.1	17.6/26.3	15.7/23.4	17.1/25.3	11.3/24.4	11.7/25.3	19.9/32.6	17.8/28.8	19.2/31.2	12.6/30.0	13.1/31.2
kW	4.2	3.9	4.6	4.3	4.6	5.5	5.1	6.1	5.6	6.1	6.8	6.3	7.5	6.9	7.5
Breaker	20/30	15/25	20/25	15/25	15/25	15/20	15/25	15/25	10/35	10/35	25/40	25/35	25/35	20/40	20/40
Wires	3/2	3/2	3/2	4/2	4/2	3/2	3/2	3/2	4/2	4/2	3/2	3/2	3/2	4/2	4/2



BKI North America
PO Box 80400
Simpsonville, SC 29680-0400 USA
Telephone: (864) 963-3471
Toll Free: (800) 927-6887

BKI Europe
Theale Technology Centre
Station Road • Theale
Reading • West Berkshire • RG7 4AA
Telephone: 0870 9904242 • Fax: 0870 9904243

