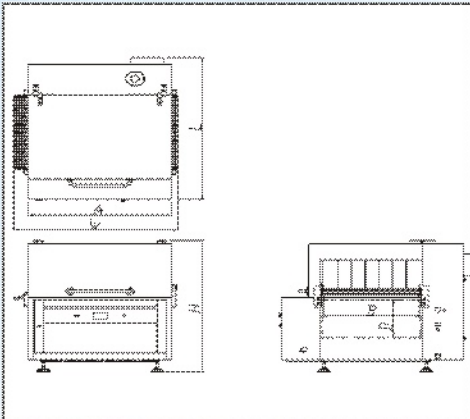


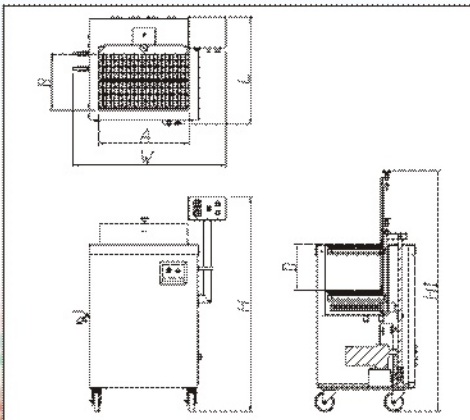
ST Series Hot Water Shrink Tank Technical Specifications

MODELS	ST-700
Max. Product Height	10.8"/275mm
Immersion Platform (A) Size (B)	34.2"/870mm 24.8"/630mm
Immersion Depth (D)	13"/330mm
Cycle	up to 8/per min
Volume of Water	85gal / 310 liters
Electric Heating	30kw/78.7A
Voltage	230V/3ph/60Hz
Machine Size LxWxH(H1)	55"x47.5"x51" 1397x1026x1295mm
Machine Weight	880 lbs / 400kg



ST-700

MODELS	ST-10
Max. Product Height	12"/305mm
Immersion Platform (A) Size (B)	22.8"/580mm 13.7"/350mm
Immersion Depth (D)	14"/355mm
Cycle	up to 15/per min
Volume of Water	30gal / 100 liters
Electric Heating	12kw/32A
Voltage	230V/3ph/60Hz
Machine Size LxWxH(H1)	30"x40"x48.5"(55") 762x1016x1232mm(1397mm)
Machine Weight	442 lbs / 200kg



ST-10

Standard Features:

- Stainless steel construction
- Electric heating
- Programmable temperature control
- Simple push button cycle operation (ST-10)
- On/ off indicator light
- Easy access for cleaning and maintenance
- High performance insulation to avoid heat loss
- Easy fill and drain tank
- Low energy consumption
- Auto dip tank with conveyor (ST-700)

All specifications are subject to change without notice.