



EXTRA DEEP PROOFING CABINET UNIVERSAL PAN SIZES



Model PICA70-32-AED
with standard, reversible doors

SPECIFICATIONS

The Extra Deep Proofing Cabinet is all aluminum construction. Universal extruded pan supports accommodate a wide variety of pans and screens while (3) reversible, see-through polycarbonate doors with heavy-duty hinges feature positive closing latches and full perimeter gaskets.

User-friendly, bottom mounted controls feature independent heat and humidity adjustment. Temperatures range from 60° to 125°F (16° to 52°C) while the water reservoir holds up to 5 quarts (4.7 liters).

Elements are sandwiched between two, grooved castings to prevent element burnout while providing added safety for the operator.

All Extra Deep proofing cabinets have a drain with operator-controlled valve for excess moisture collection below the cabinet base into a standard 18"x26" bun pan — pan not included.

Heavy-duty swivel-type casters with 5" (127mm) rubber wheels, two with locks, provided.

2-Year parts and 1-year labor warranty standard (limited).

Job _____ Item # _____

ELECTRIC PROOFING CABINETS

Model PICA70-32-AED Non-Insulated

STANDARD FEATURES

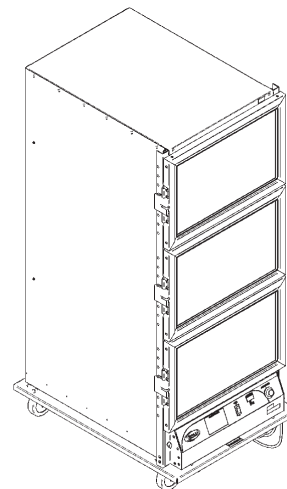
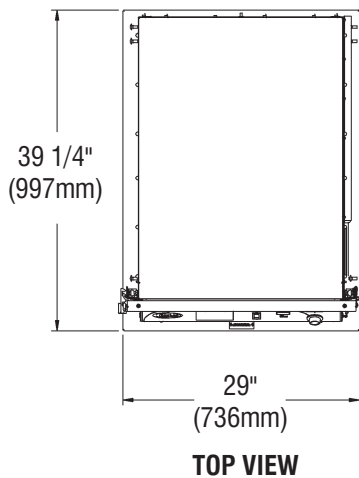
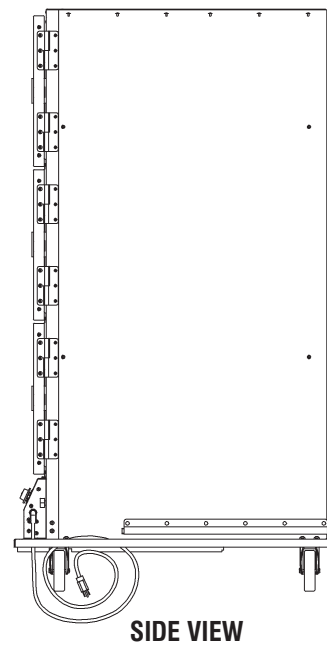
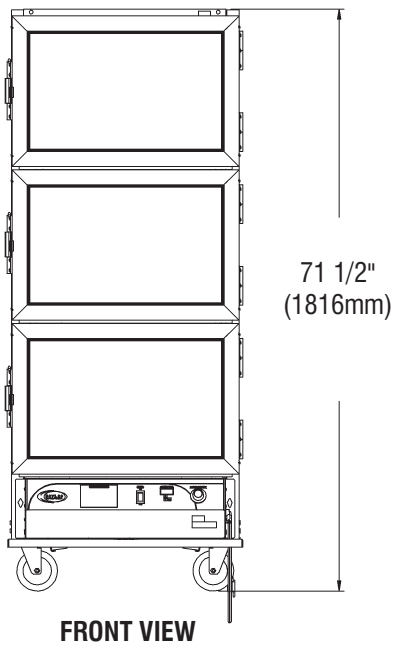
- All aluminum construction
- Reversible doors
- Extruded pan supports
- Three (3) transparent, polycarbonate doors with heavy-duty hinges, positive closing latch and perimeter gasket
- Removable heating module with separate controls for heat and humidity
- Maintains uniform temperature and humidity throughout cabinet
- Elements are sandwiched between two, grooved castings to prevent element burnout from water spills and the possibility of injury from accidental contact with exposed heating element, drain and overspill tube
- Temperature adjustable from 60° to 125°F (16° to 52°C)
- Self-draining feature collects excess moisture into a standard 18"x26" bun pan (not included) below the base of the cabinet
- Completely removable interior components for quick and easy cleaning
- Heavy-duty plate-type casters with 5" (127mm) hard neoprene wheels, front two with breaks
- 120V, 15A, 1PH, 50/60 HZ
- 220/240V, 6.5A, 1PH, 50/60 HZ
- Limited 2-year parts , 1-year labor warranty

OPTIONS & ACCESSORIES

- Perimeter bumper
- Corner bumper
- Heavy-duty, plate-type swivel casters
- Left-hand hinged doors
- Full, transparent, polycarbonate door
- Solid, full, or Dutch doors
- Additional extruded universal pan supports
- 6" Stainless steel legs with adjustable feet
- Drip trough

CERTIFICATIONS





ALL DIMENSIONS NOMINAL

Continuous product improvement is a policy of BKI/BEVLES. Therefore, specifications and design are subject to change without notice.

SHIPPING INFORMATION										
Model	Shipping Weight		Carton Size		Carton Dimensions					
	Lbs	Kilos	Cubic Feet	Cubic Meters	Width		Depth		Height	
					Inches	mm	Inches	mm	Inches	mm
PICA70-32-AED	280	127	60	1.7	32	813	40	1016	81	2057

MINIMUM CLEARANCES		
	Inches	mm
Right	0	0
Left	0	0
Rear	0	0

POWER SUPPLY					
Model	KW	Voltage	Phase	Amps	HZ
PICA70-32-AED	1.56	120	1	13	50/60
PICA70-32-AED	1.56	220/240	1	6.5	50/60