



PROOFING CABINET

Non-Insulated

Model: □ PICA70-32-A

Design Features

- "Cast-in" humidity system prevents element burnout from water spills and potential injury from accidental contact with exposed heating element
- Maintains uniform temperature and humidity throughout cabinet
- Temperature adjustable from 60°F(15.6°C) to 120°F (48.9°C)
- Self-draining feature collects excess moisture into a standard 18" x 26" bun pan (not included) below the base of the cabinet
- Removable heating module with separate controls for heat and humidity
- Extruded pan universal supports accept a variety of pans and screens

Quality Construction

- Aluminum construction
- Full-length Lexan® door with heavy-duty hinges, positive closing latch and perimeter gasket
- Completely removable interior components for quick and easy cleaning
- Heavy-duty plate-type casters with 5" hard neoprene wheels, front two with brakes
- One piece, formed base with welded corners



Options & Accessories

- Door hinging
- Corner bumpers
- Perimeter bumper
- Cord Guide/Protector
- Drip Trough

Warranty & Cerifications

Parts and Service Warranty

- Protected by BevLes 2 year parts and 1 year service warranty

Certified by the following:



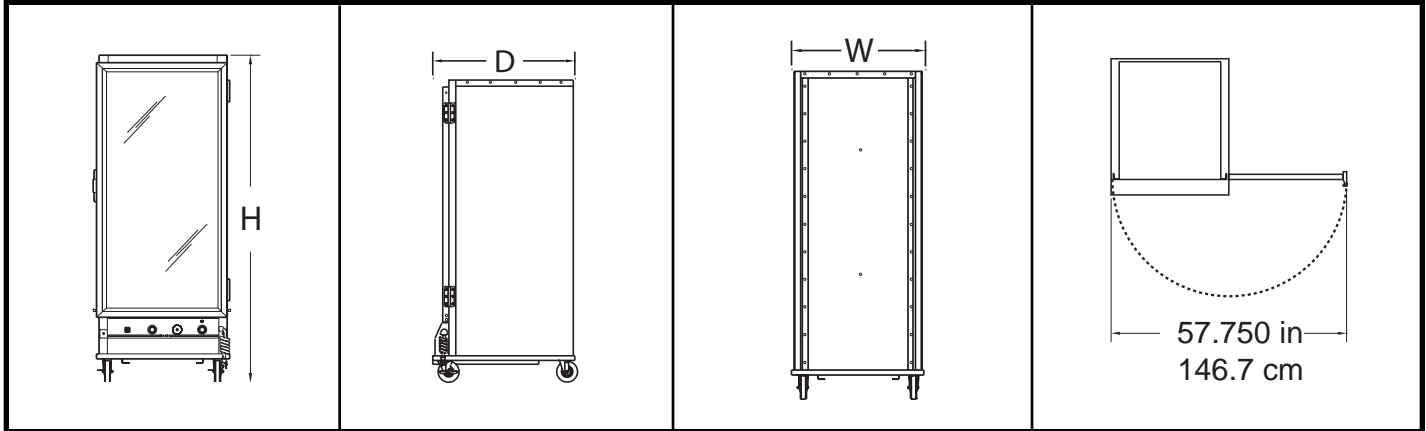
Mailing: 729 Third Ave., Dallas, TX 75226 • Shipping: 1938 Wyott Dr., Cheyenne, WY 82007
(800) 441-1601 • Fax: (214) 565-0976 • www.bevles.com • sales@bevles.com



PROOFING CABINET

Non-Insulated

Model: PICA70-32-A



Model	Capacity			Dimensions			Ship Wt.	Act. Wt.
	18x26	12x20	SPC'G*	H	W	D		
PICA70-32-A	16**	32	3"	71.5" (181.6 cm)	29" (73.7 cm)	33.5" (85.1 cm)	200 lbs (90.7 cm)	175 lbs (79.4 kg)

Electrical	Voltage	Watts	Amps	Electric Service	Phase	Hertz	Clearances
Standard	120	1400	13	15A Dedicated Circuit	1	50/60	Zero Clearance Cabinet
Optional	208/240	1400	6.5	15A Dedicated Circuit	1	50/60	Zero Clearance Cabinet

*Adjustable on 3" centers

**Also accommodates 19" x 19" and 23" x 23" screens

Construction:

- **Body:** .063 aluminum
- **Door:** Clear Lexan® with an extruded aluminum frame
- **Door Latch and Hinges:** Patented positive action door latch with heavy-duty stainless steel hinges
- **Door Gasket:** Closed cell foam
- **Base:** .125 aluminum
- **Rear (Air Duct) Panel:** .063 aluminum

Pan Support Assembly:

- **Pan Supports:** Extruded universal pan supports adjustable on 3" centers
- **Uprights:** .100 aluminum slotted on 3" centers

Electrical:

- 120V, 15A, 1PH service
- Optional 208/240V-15A, 1PH service
- **Switch:** 15 Amp, lighted
- **Cord and Plug:** 8' cord with 15A molded plug (NEMA 5-15P); 208/240 volt models provided with cord only

Heating Module and Controls:

- Bottom mounted heating unit with a one (1) piece modular drop-in design blower assembly
- Entire bottom mounted heating unit is easily removable for cleaning and maintenance
- Air heating element rated at 1000W, 120V
- Humidity heating element rated at 400W, 120V
- 5 quart (4.7 liter) cast water reservoir
- Lexan® water reservoir cover
- Easy to operate controls feature precision thermostat, variable humidity control and dial thermometer
- All controls are visible and operable from exterior of cabinet

Castors:

- Heavy-duty plate type casters, with 5" hard neoprene wheels; all swivel; wheel brakes on front two casters

Shipping:

- Freight Class: 85
- FOB: Cheyenne, WY 82007

* Note: Modifications involving casters or legs may affect height of equipment. Specifications subject to change without notice.



Mailing: 729 Third Ave., Dallas, TX 75226 • Shipping: 1938 Wyatt Dr., Cheyenne, WY 82007
 (800) 441-1601 • Fax: (214) 565-0976 • www.bevles.com • sales@bevles.com

4/20/05
#B201