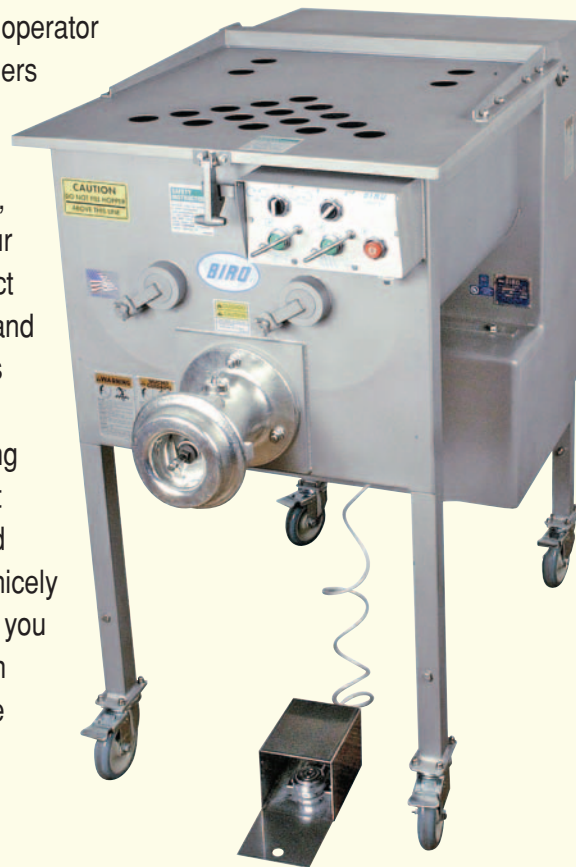


BIRO®

Our Equipment Works Harder So You Don't Have To

Raise your meat grinding operations to new heights of productivity, efficiency, and profit with the Biro EMG-32 Ergonomic Mixer Grinder. The top of the hopper is lowered so that the average operator no longer has to lift a full meat lug above their shoulders to dump it in the hopper, and the grinding head is raised to a height where you don't have to bend over to fill trays prior to packaging. Just as important, you get all of this without sacrificing the quality of your grind. The auger is parallel to the floor, so the product isn't compressed too much from being forced uphill, and the typical temperature rise of the product is 0 to less than 4° F (depending on product temperature). This helps ensure maximum shelf life. The twin mixing paddles give you a fast, even, thorough blend without overworking your product; the auger is fed evenly and smoothly. The EMG-32's compact size means it fits nicely in today's smaller, more efficient meat rooms, so that you can continue to maintain a high level of productivity in minimum space. Of course, all of this comes with the superior Biro design and reliability you've come to depend on.



SHOWN WITH STANDARD
PNEUMATIC FOOTSWITCH
LUG CART NOT SHOWN

EMG-32



**Stands alone for quality
and value since 1921**

SPECIFICATIONS

MODEL EMG-32 ERGONOMIC FEED MIXER GRINDER.
CONSTRUCTION HEAVY DUTY STAINLESS STEEL HOPPER, LID, PADDLE, FRAME AND AUGER.
 CAST IRON HOT TIN DIPPED BOWL AND RING, SIZE 32.

MOTORS

| MOTOR | HP | KW | VOLTS | AMPS | CYCLE | PH | CODE |
|-------|-----|-----|-------------|--------------|-------|----|------|
| AUGER | 7.5 | 5.5 | 208-220/440 | 24-22/11 | 60 | 3 | STD |
| MIXER | 3/4 | 1.3 | 208-220/440 | 5.7-5.2/2.6 | 60 | 3 | STD |
| AUGER | 7.5 | 5.5 | 575 | 9.2 | 60 | 3 | EC |
| MIXER | 3/4 | 1.3 | 575 | 2.4 | 60 | 3 | EC |
| AUGER | 7.5 | 5.5 | 220/380-415 | 22/12.7-12.4 | 50 | 3 | STD |
| MIXER | 3/4 | 1.3 | 220/380-415 | 5.9/3.4-3.1 | 50 | 3 | STD |

STD=STANDARD EC=EXTRA COST NC=NO CHARGE

SWITCH WATERTIGHT MAGNETIC WITH THERMAL OVERLOAD AND UNDER VOLTAGE PROTECTION, 24 VOLT CONTROL CIRCUIT.

POWER CORD 11' 10-4 CORD WITH PLUG 208-220/440-60-3; NO PLUG 220/380-415-50-3 NO PLUG 575-60-3.

CAPACITY HOPPER: UP TO 150 LBS. (68 KG).

GRINDING CAPACITY UP TO 80 LBS. (36.3 KG) PER MINUTE, FIRST GRIND 1/8" HOLE PLATE.
 UP TO 56 LBS. (25.4 KG) PER MINUTE, SECOND GRIND 1/8" HOLE PLATE.

DRIVE SYSTEM SINGLE REDUCTION ROLLER CHAIN.

SAFETY MAGNETIC SAFETY INTERLOCK ON HOPPER LID.

STANDARD FEATURES NO INLET (SOLID TUB) HOPPER, SPURT GUARD, RING WRENCH, PNEUMATIC FOOTSWITCH, 11' CORD AND PLUG (U.S.), REVERSIBLE PADDLES, MEAT CART LESS LUGS, LOCKING SWIVEL CASTERS WITH PREVENTZ ADDITIVE, BOWL NUT WRENCH, OPERATING AND SAFETY MANUAL.

OPTIONS (EC) ELECTRIC FOOTSWITCH, SIZE 32 PLATE AND KNIFE, 35° RIGHT AND LEFT SIDE HOPPER INLET WITH CONNECTIONS FOR TANDEM OPERATIONS, STAINLESS STEEL BOWL AND RING (ENTERPRISE OR UNGER).

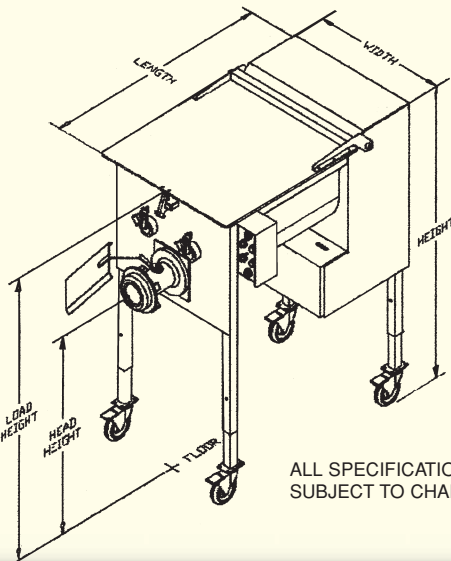
OPTIONS (NC) LEXAN LID.

CERTIFICATION U.L., N.S.F., U.L.-C.

WEIGHT UNCRATED: 700 LBS. (317.5 KG) APPROXIMATE.
 CRATED: 845 LBS. (383.3 KG) APPROXIMATE.

DIMENSIONS CRATED L = 61" (155 CM), W = 37" (94 CM), H = 62" (157.5 CM)

| | |
|----------------------|--------------------------------|
| HEIGHT | 52" (132 cm) |
| LOAD HEIGHT | 54" (137.2 cm) |
| OUTPUT HEIGHT | 32" (81.3 cm) to 38" (96.5 cm) |
| LENGTH | 52" (132 cm) |
| WIDTH | 29" (73.7 cm) |
| LUG HEIGHT | 30" (76.2 cm) to 36" (91.4 cm) |



ALL SPECIFICATIONS CONTAINED HEREIN ARE SUBJECT TO CHANGE WITHOUT NOTIFICATION.

THE BIRO MANUFACTURING COMPANY
 1114 WEST MAIN STREET
 MARBLEHEAD, OH 43440-2099 U.S.A.
 Phone: (419) 798-4451
 Fax: (419) 798-9106
<http://www.birosaw.com>
sales@birosaw.com

ITEM NO.: LIT-EMG-32-296
 FORM NO.: Md EMG32-296-10-06-5-ENG-MARK

Service is available from over 245 locations worldwide