



TEMPER SELECT STAINLESS STEEL HEATED HOLDING SYSTEMS



Model HTSS74W12
with standard, reversible doors

SPECIFICATIONS

Temper Select cabinets are constructed of stainless steel inside and out with a welded aluminum base and feature fully insulated top, sides, base and doors.

Temper Select cabinets are available in Full-Size, Half-Size or Undercounter models. Half-Size cabinets may be ordered stacked to provide two separate, unique environments.

Top mounted convection heating and humidity system produces uniform temperature and humidity throughout by a side air tunnel system even when the door is open.

Temperatures range from 70°-215°F (21°-102°C) and features include solid state controls with digital display option.

Standard features include field-reversible doors, lift-off, self-closing hinges, magnetic door gaskets and latch, cool-touch handles, radius corners, front end pull grips, heavy-duty 5" plate-type casters and removable water pan for added moisture.

Standard models feature fixed slide spacing on 1 1/2" increments (38mm) and accommodates 18"x26" pans and/or 18"x13" pans.

Universal models feature adjustable slide spacing on 1 1/2" increments (38mm) and accommodates 18"x26" pans and/or 18"x13" pans and/or 12"x20" pans.

Limited 2 year parts, 1 year labor warranty.

Job _____ Item # _____

HEATED HOLDING CABINETS



- | | | |
|--|--------------|-----------|
| <input type="checkbox"/> Model HTSS74P34 | Full-size | Standard |
| <input type="checkbox"/> Model HTSS74W12 | Full-size | Universal |
| <input type="checkbox"/> Model HTSS44P16 | Half-size | Standard |
| <input type="checkbox"/> Model HTSS44W6 | Half-size | Universal |
| <input type="checkbox"/> Model HTSS34P12 | Undercounter | Standard |
| <input type="checkbox"/> Model HTSS34W4 | Undercounter | Universal |

STANDARD FEATURES

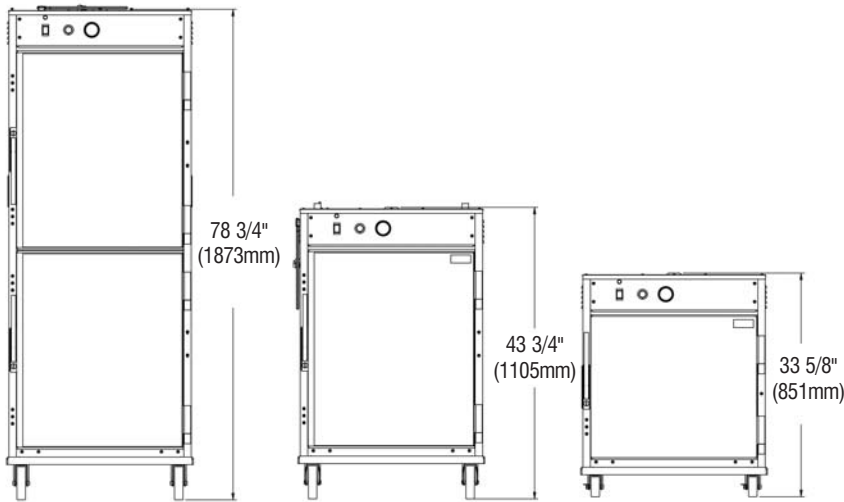
- All stainless steel construction with welded aluminum base
- Fully insulated throughout
- Side air tunnel systems circulate air evenly
- Top-mounted convection heat & humidity system maintains even heat, quick pre-heat and rapid recovery
- Accurate & reliable solid-state controls
- Easy-to-clean radius corners
- Removable top water pan for additional humidity
- Heavy-duty plate-type casters with 5" hard rubber wheels & front breaks
- Field-reversible doors with self-closing lift-off hinges, magnetic latches & door gaskets, cool-touch handle & turn knob lock
- Dutch doors on full-size models
- Recessed stainless steel side-mounted pull grips
- 120v, 15a, 1ph, 50/60hz
- 120v, 20a, 1ph, 50/60hz
- 208v, 15a, 1ph, 50/60hz
- 240v, 15a, 1ph, 50/60hz
- Limited 2 year parts - 1 year labor warranty

OPTIONS & ACCESSORIES

- Full perimeter bumper or corner bumpers
- Additional universal shelves
- Left-hand hinged doors
- Pass-through design
- Doors with tempered glass windows
- Stainless steel cord wrap
- Key lock hatch
- Digital temperature display — model HTSD
- Transport handles
- 5" polyurethane casters
- 1/2-Size models may be ordered stacked

CERTIFICATIONS



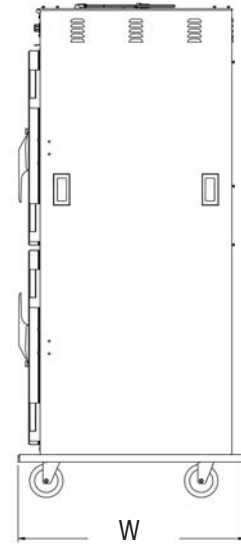


Full Size

Half Size

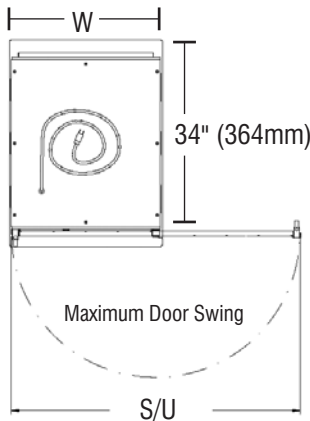
Undercounter

FRONT VIEW



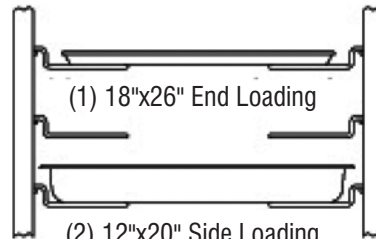
Full Size

SIDE VIEW



Standard: 47 7/8" (1216mm)
*Universal: 54 1/8" (1375mm)

TOP VIEW



Also holds (2) Half Size 13"x18" Bun Pans

LOADING CAPACITY

WIDTH — "W"		
Model	Width	
	Inches	mm
HTSS74P34	25	635
* HTSS74W12	28 1/8	714
HTSS44P16	25	635
* HTSS44W6	28 1/8	714
HTSS34P12	25	635
* HTSS34W4	28 1/8	714

ALL DIMENSIONS NOMINAL

Continuous product improvement is a policy of BKI/BEVLES. Therefore, specifications and design are subject to change without notice.

Model	Carton Size		Carton Dimensions				Shipping Weight			
	Cubic Feet	Cubic Meters	Width		Depth		Height		Lbs	Kilos
			Inches	mm	Inches	mm	Inches	mm		
HTSS74P34	52	1.5	32	813	36	914	73.25	1860	313	137
HTSS74W12	52	1.5	32	813	36	914	73.25	1860	345	157
HTSS44P16	33	1	32	813	34.5	876	44	1120	265	91
HTSS44W6	33	1	32	813	34.5	876	44	1120	229	104
HTSS34P12	33	1	32	813	34.5	876	44	1120	201	91
HTSS34W4	33	1	32	813	34.5	876	44	1120	229	104

Model	Side Spacing	# of Positions	Type	# of Shelves Provided
HTSS74P34	1 1/2"	34	Fixed	34
HTSS74W12	1 1/2"	34	Adjustable	*12
HTSS44P16	1 1/2"	16	Fixed	16
HTSS44W6	1 1/2"	16	Adjustable	*6
HTSS34P12	1 1/2"	12	Fixed	12
HTSS34W4	1 1/2"	12	Adjustable	*5

* Additional Shelves Available

POWER SUPPLY					
All Models	Volts	Watts	Amps	Electrical Service	Phase
Standard	120	1274	10.6	15A	50/60
Standard - HW	120	1824	15.2	20A	50/60
Optional	208	1581	7.6	15A	50/60
Optional	240	2092	8.7	15A	50/60

MINIMUM CLEARANCES		
	Inches	mm
Right	0	0
Left	0	0
Rear	0	0

