



CLIMATE SELECT STAINLESS STEEL HUMIDIFIED HEATED HOLDING SYSTEMS



Model HCSS74W12
with optional glass doors & pass-thru

SPECIFICATIONS

Climate Select cabinets are constructed of stainless steel inside and out with a welded aluminum base and feature fully insulated top, sides, base and doors.

Climate Select cabinets feature a 4-gallon water reservoir with low water alarm for hours of uninterrupted service. Humidity is operator-controlled for flexibility and maximum holding time.

Climate Select cabinets are available in Full-Size, Half-Size or Undercounter models. Half-Size cabinets may be ordered stacked with Temper Select to provide two separate, unique environments.

Top mounted convection heating and humidity system produces uniform temperature and humidity throughout by a side air tunnel system even when the door is open.

Temperatures range from 70°-215°F (21°-102°C) and features include solid state controls with digital display option.

Standard features include field-reversible doors, lift-off, self-closing hinges, magnetic door gaskets and latch, cool-touch handles, radius corners, front end pull grips, heavy-duty 5" plate-type casters and removable water pan for added moisture.

Universal models feature adjustable slide spacing on 1 1/2" increments (38mm) and accommodate 18"x26" pans and/or 18"x13" pans and/or 12"x20" pans.

Limited 2 year parts, 1 year labor warranty.

Job _____ Item # _____

HUMIDIFIED HEATED HOLDING CABINETS

- Model HCSS74W12** Full-size Universal
- Model HCSS44W6** Half-size Universal
- Model HCSS34W4** Undercounter Universal

STANDARD FEATURES

- All stainless steel construction with welded aluminum base
- Fully insulated throughout
- Side air tunnel systems circulate air evenly
- Top-mounted convection heat & humidity system maintains even heat, quick pre-heat and rapid recovery
- Accurate & reliable solid-state controls
- Easy-to-clean radius corners
- 4-Gallon water reservoir with drain
- Heavy-duty plate-type casters with 5" hard rubber wheels & front breaks
- Field-reversible doors with self-closing lift-off hinges, magnetic latches & door gaskets, cool-touch handle & turn knob lock
- Dutch doors on full-size models
- Recessed stainless steel side-mounted pull grips
- 120v, 20a, 1ph, 50/60hz
- 208v, 20a, 1ph, 50/60hz
- 240v, 20a, 1ph, 50/60hz
- Limited 2 year parts - 1 year labor warranty

OPTIONS & ACCESSORIES

- Full perimeter bumper and corner bumpers
- Additional universal shelves
- Left-hand hinged doors
- Pass-through design
- Doors with tempered glass windows
- Stainless steel cord wrap
- Key lock hatch
- Digital temperature display
- Transport handles
- 5" polyurethane casters
- 1/2-Size cabinets may be ordered stacked with Temper Select

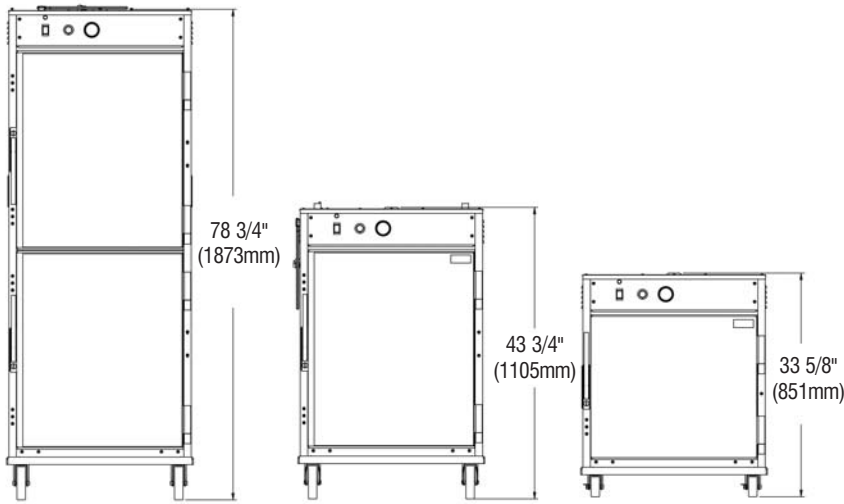
CERTIFICATIONS



BKI North America
2812 Grandview Drive • Simpsonville, SC 29680-0400 USA
Phone: 864.963.3471 • 800.972.6887 • fax: 864.963.5316
www.BKIideas.com

BKI Europe
Theale Technology Centre
Station Road • Theale • Reading • West Berkshire • RG74AA
Telephone: 0870 9904242 • fax: 08709904243



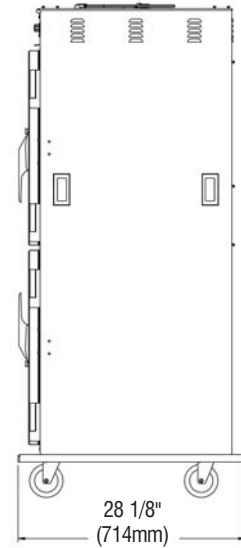


Full Size

Half Size

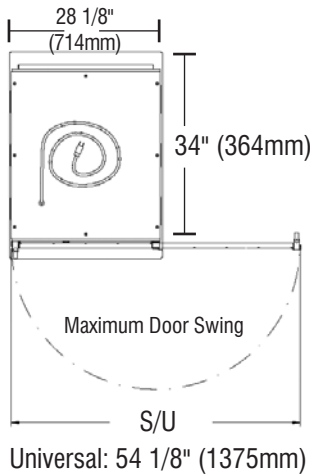
Undercounter

FRONT VIEW

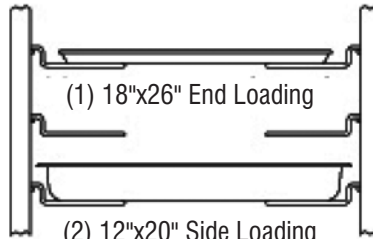


Full Size

SIDE VIEW



TOP VIEW



Also holds (2) Half Size 13"x18" Bun Pans

LOADING CAPACITY

ALL DIMENSIONS NOMINAL

Continuous product improvement is a policy of BKI/BEVLES. Therefore, specifications and design are subject to change without notice.

SHIPPING INFORMATION										
Model	Carton Size		Carton Dimensions				Shipping Weight			
	Cubic Feet	Cubic Meters	Width		Depth		Height		Lbs	Kilos
	Inches	mm	Inches	mm	Inches	mm	Inches	mm		
HCSS74W12	52	1.5	32	813	36	914	73.25	1860	345	157
HCSS44W6	33	1	32	813	34.5	876	44	1120	229	104
HCSS34W4	33	1	32	813	34.5	876	44	1120	229	104

CAPACITY				
Model	Slide Spacing	# of Positions	Type	# of Shelves Provided
HTSS74W12	1 1/2"	34	Adjustable	*12
HTSS44W6	1 1/2"	16	Adjustable	*6
HTSS34W4	1 1/2"	12	Adjustable	*5

** Additional Shelves Available*

POWER SUPPLY					
All Models	Volts	Watts	Amps	Electrical Service	Phase
Standard - HW	120	2024	16.8	20A	50/60
Optional	208	2854	13.7	20A	50/60
Optional	240	3790	15.8	20A	50/60

MINIMUM CLEARANCES		
	Inches	mm
Right	0	0
Left	0	0
Rear	0	0



15-20P
120v, 20amp



6-15P
208v/240v, 20amp