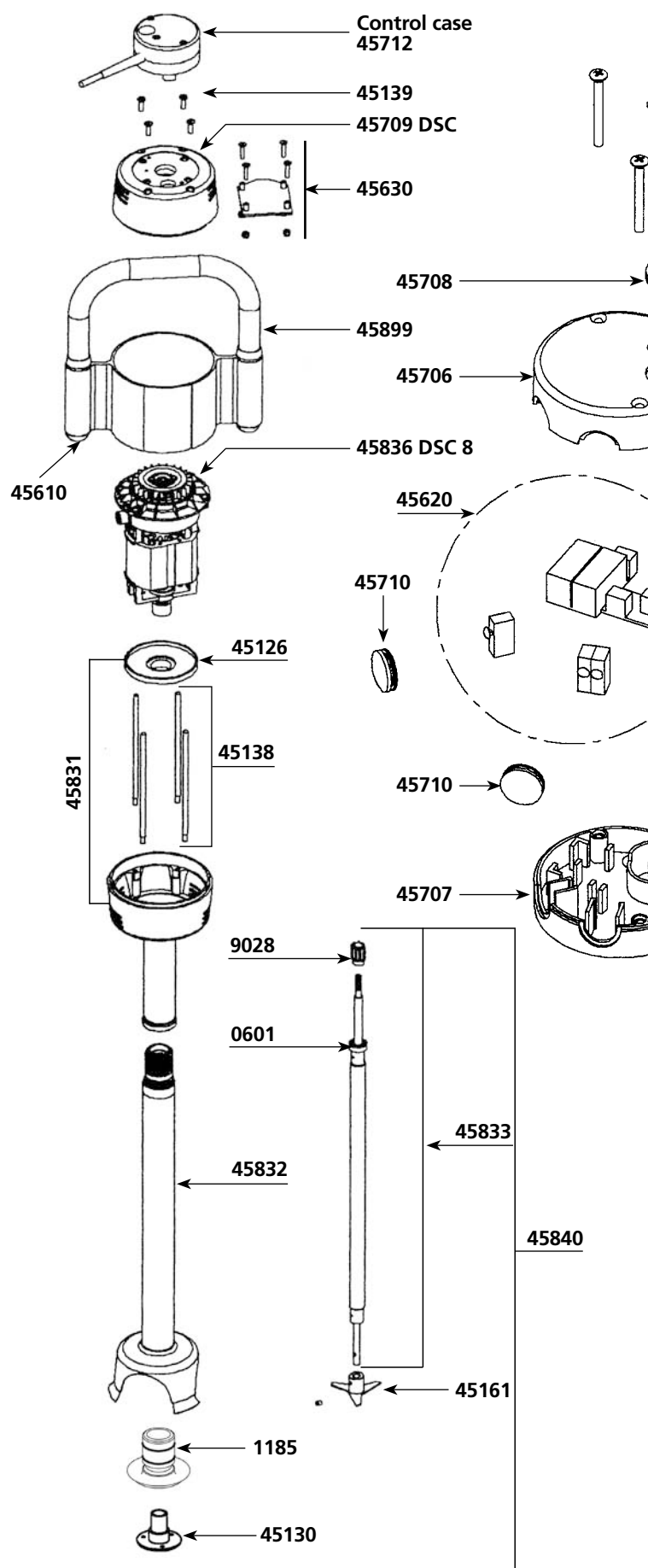
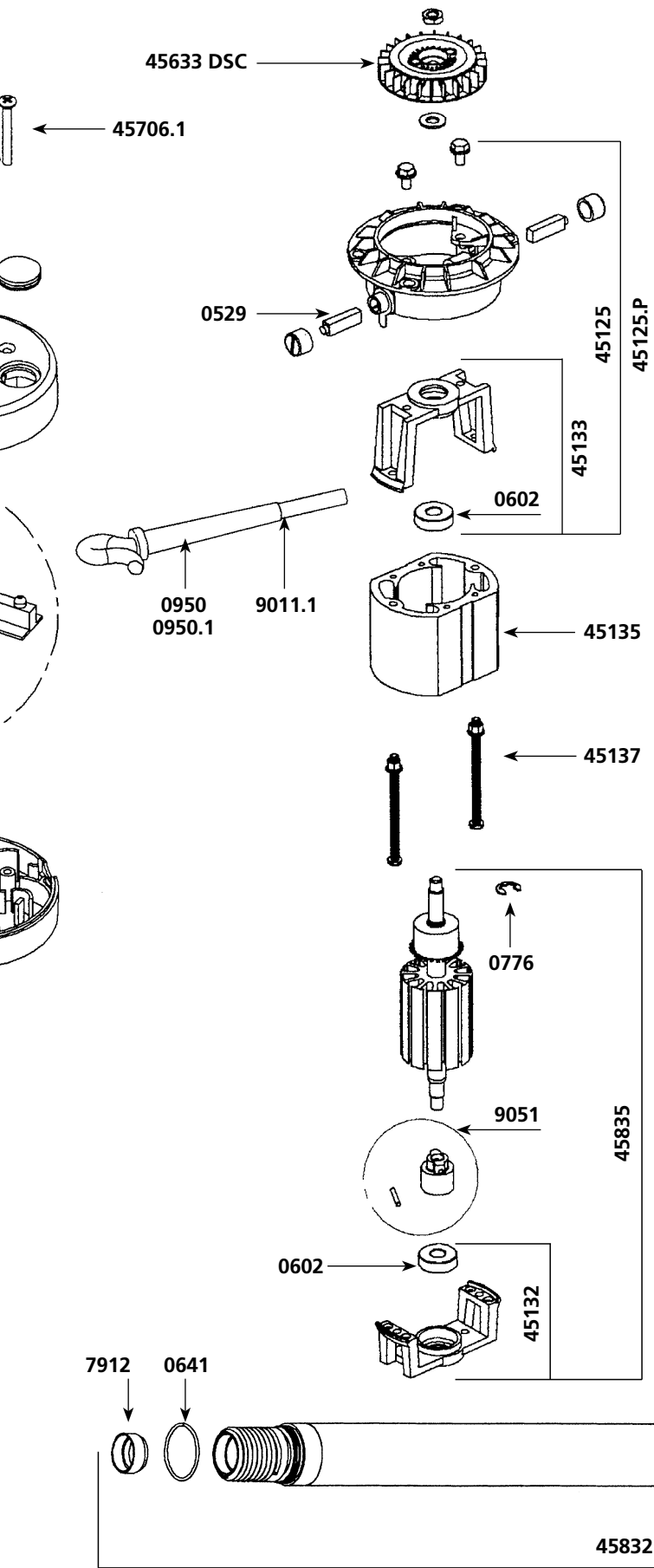


SMX 800 DSC MIXER

Parts list	Code
Carbon brushes (pair)	0529
Ball bearing	0601
Motor ball bearing	0602
Toric seal	0641
Rubber washer	0760
Clips	0776
Washer & bolt for fan	0777
Wall bracket	0862
Strain relief 230 V	0950
Strain relief 115 V	0950.1
ID label 230 V	1098
ID label 115 V	1099
Bearing holder + seal	1185
Fan housing Alu	45125
Fan housing Plastic	45125.P
Double isolation plate	45126
Lower bearing assembly	45130
Lower motor casing	45132
Upper motor casing	45133
Stator 230 V	45135
Stator 115 V	45135.1
Stator screws(2)	45137
Braces (4)	45138
Brace screws (4)	45139
Cutter blade w/ screw	45161
Squeezing washers (4)	45230
Handle cap (2)	45610
Circuit board 230 V	45620
Circuit board 115 V	45620.1
Regulation circuit board	45630
Fan DSC	45633DSC
Top housing (orange plastic piece)	45706
Screws control case set	45706.1
Lower housing (orange plastic piece)	45707
Handle cap protector (unit)	45708
Upper motor casing	45709DSC
Handle cap protector (unit)	45710
Complete housing w/ screws	45711
Complete control casing 230V	45712
Complete control casing 115V	45712.1





Parts list

Code

Lower housing	45831
Foot assembly w/ bearing assembly	45832
Shaft & ball bearing	45833
Shaft, lower ball bearing & cutter assembly	45834
Rotor 230 V	45835
Rotor 115 V	45835.1
Motor 230 V	45836DSC8
Motor 115 V	45836.1DSC8
Complete foot assembly	45840
Sleeve & complete handle & label & cap	45899
Ball bearing ring	7912
Power cord 230 V	9011.1
Motor & shaft drive sprocket	9028
Power cord 115 V	9040.1
Coupling casing + pin	9051
Power cord (Australian)	9066.1
Power cord (English)	9067.1
Lower bearing screws (3)	9902