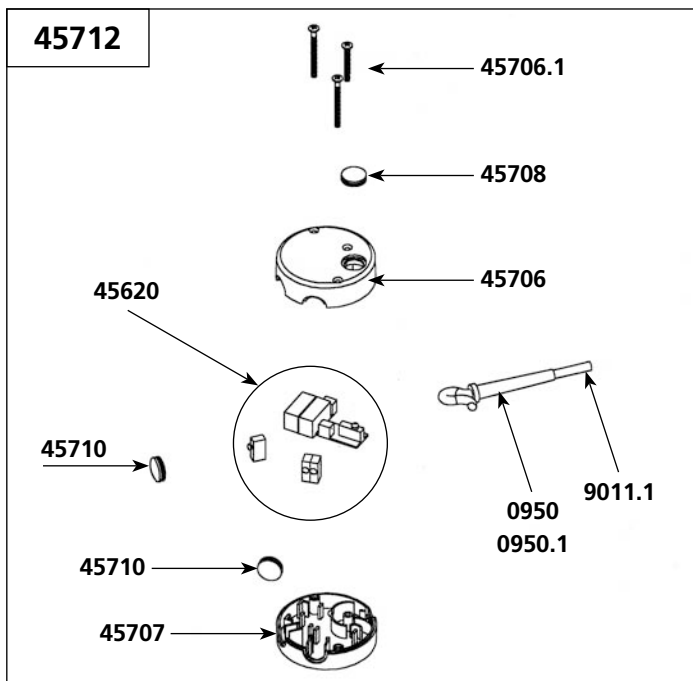
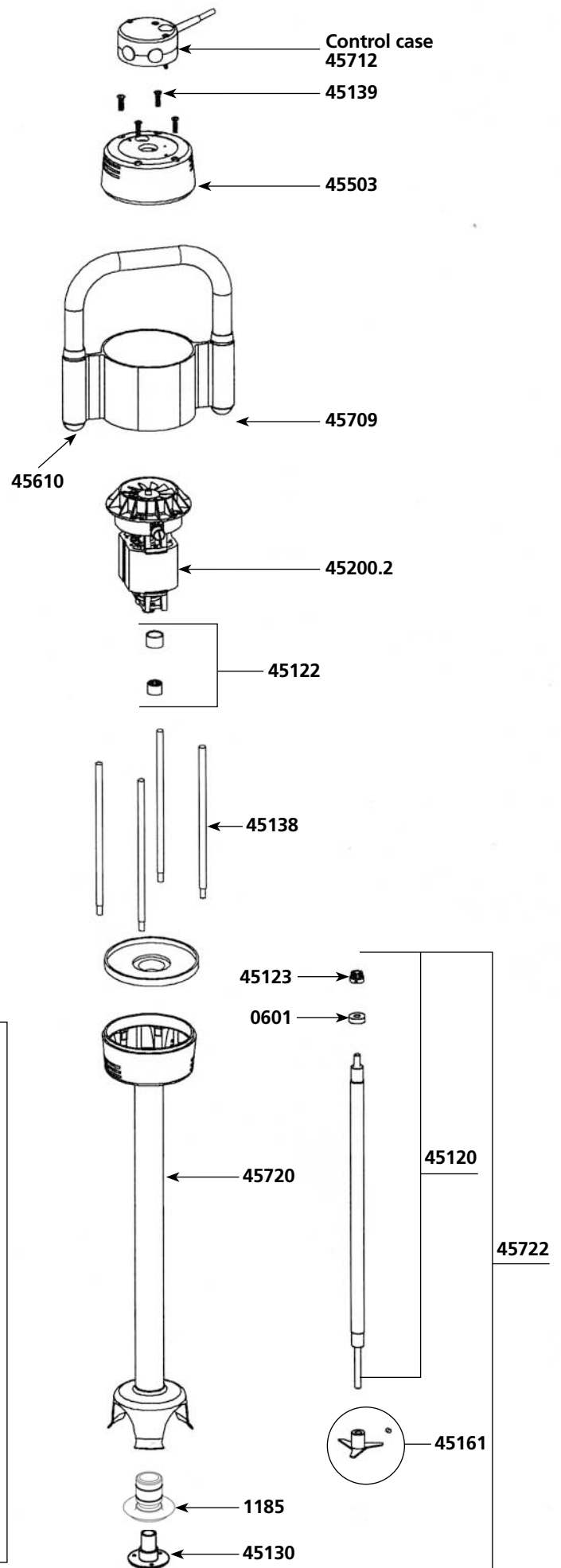
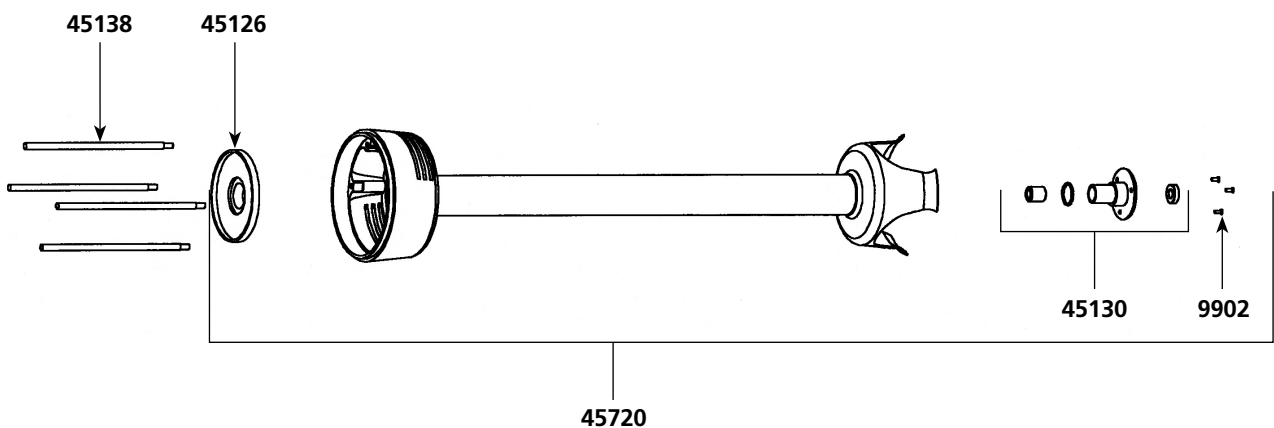
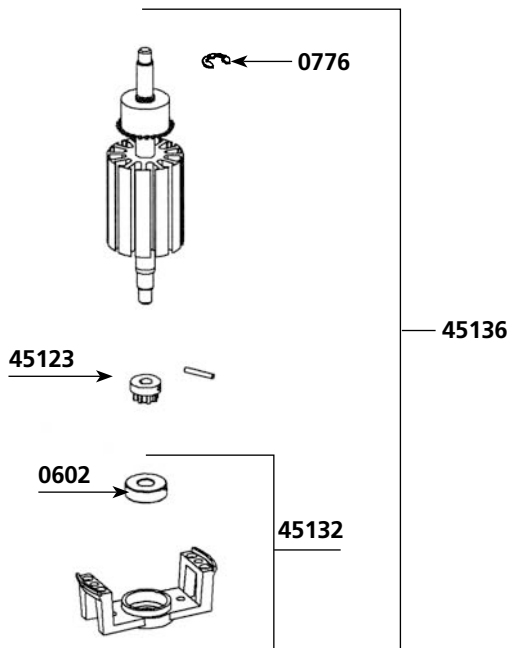
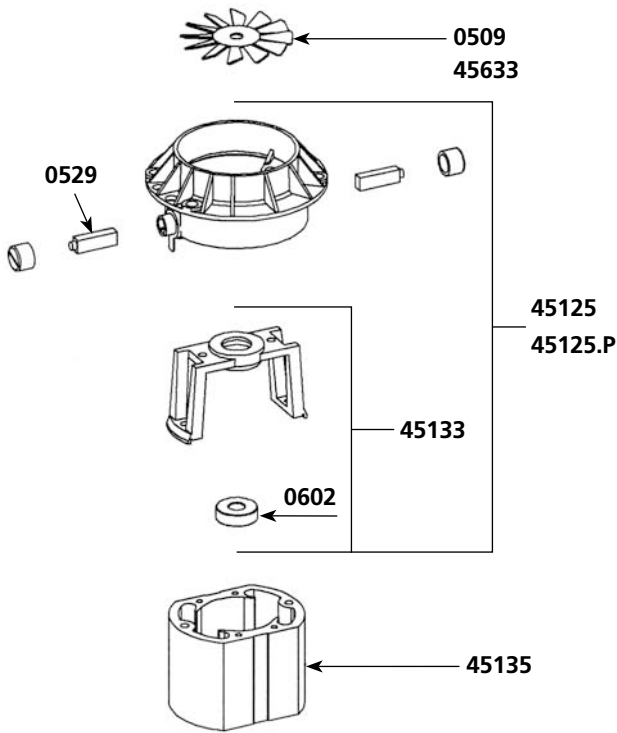


SMX 600 E MIXER

| Parts list | Code |
|------------------------------|---------|
| Aluminium Fan | 0509 |
| Carbon brushes (pair) | 0529 |
| Ball bearing | 0601 |
| Motor ball bearing | 0602 |
| Rubber washer | 0760 |
| Clips | 0776 |
| Washer & bolt for fan | 0777 |
| Wall bracket | 0862 |
| Strain relief 230 V | 0950 |
| Strain relief 115 V | 0950.1 |
| ID label 230 V | 1007 |
| ID label 115 V | 1009 |
| Bearing holder + seal | 1185 |
| Shaft & ball bearing | 45120 |
| Coupling sleeves | 45122 |
| Motor & shaft drive sprocket | 45123 |
| Fan housing Alu | 45125 |
| Fan housing Plastic | 45125.P |
| Double isolation part | 45126 |
| Lower ball bearing assembly | 45130 |
| Lower motor casing | 45132 |
| Upper motor casing | 45133 |
| Stator 230 V | 45135 |
| Stator 115 V | 45135.1 |
| Rotor 230 V | 45136 |
| Rotor 115 V | 45136.1 |
| Stator screws (2) | 45137 |



IMPORTANT : Each spare part order must include the type and the number of the product which appears on the identification plate.



Parts list

Code

| | |
|--|---------|
| Braces (4) | 45138 |
| Brace screws (4) | 45139 |
| Cutter blade w/ screw | 45161 |
| Motor 115 V | 45200.1 |
| Motor 230 V | 45200.2 |
| Squeezing washers (4) | 45230 |
| Top housing | 45503 |
| Kit w/ shaft, lower bearing, coupler, cutter | 45533 |
| Handle cap (2) | 45610 |
| Circuit board | 45620 |
| Circuit board | 45620.1 |
| Plastic Fan | 45633 |
| Top housing (orange plastic piece) | 45706 |
| Screws control case set | 45706.1 |
| Lower housing (orange plastic piece) | 45707 |
| Handle cap protector (unit) | 45708 |
| Sleeve & complete handle & label & cap | 45709 |
| Handle cap protectors (unit) | 45710 |
| Lower housing w/ screws | 45711 |
| Complete control casing 230V | 45712 |
| Complete control casing 115V | 45712.1 |
| Foot assembly w/ lower bearing | 45720 |
| Complete foot assembly | 45722 |
| Power cord 230 V | 9011.1 |
| Power cord 115 V | 9040.1 |
| Power cord (Australian) | 9066.1 |
| Power cord (English) | 9067.1 |
| Bearing support screws (3) | 9902 |