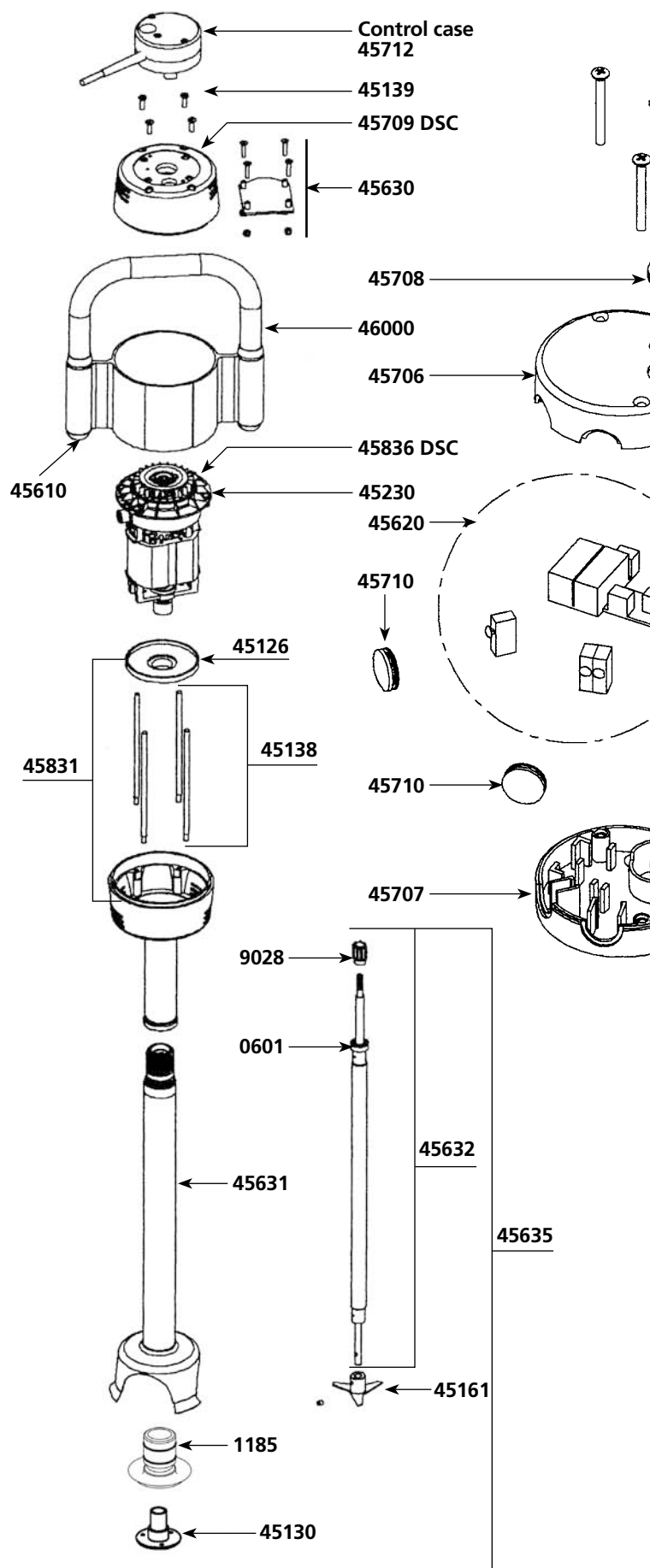
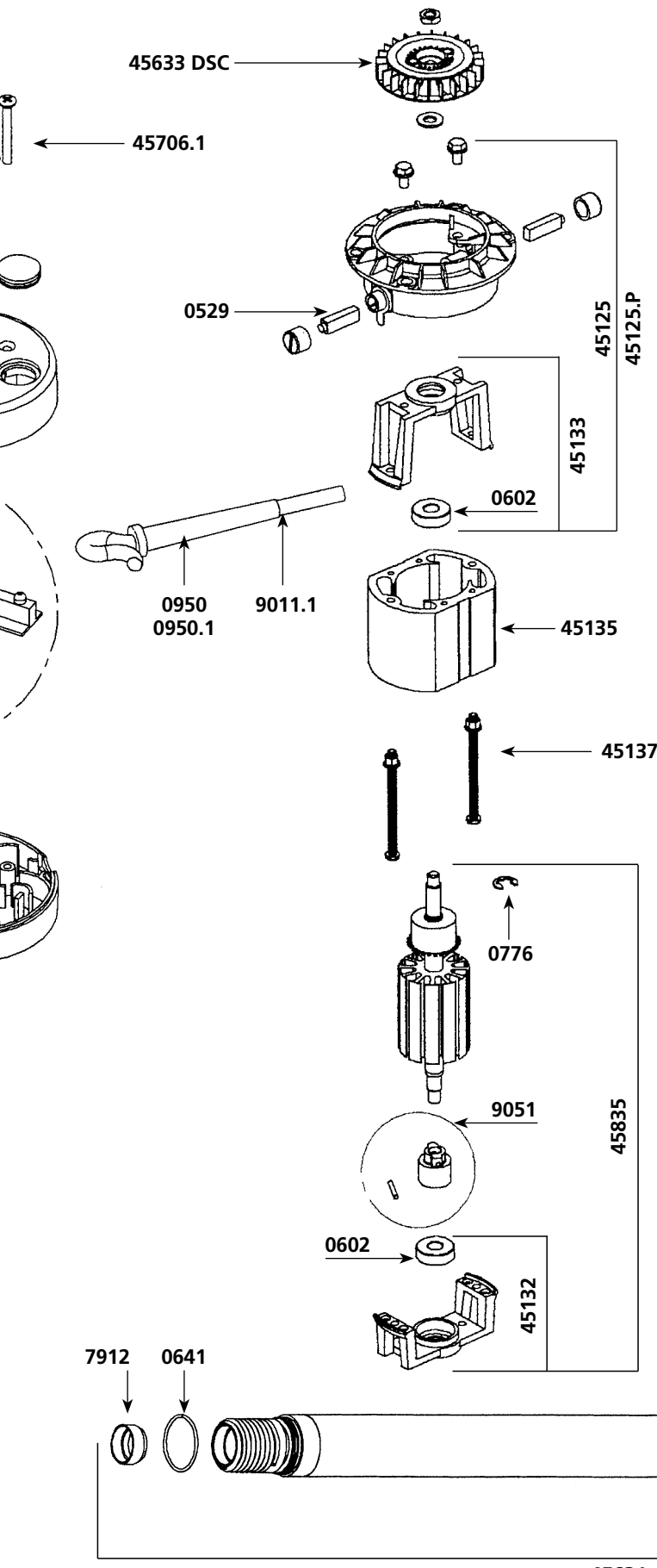


# SMX 600 DSC MIXER

| Parts list  | Code     |
|---|----------|
| Carbon brushes (pair)                               | 0529     |
| Ball bearing  | 0601     |
| Motor ball bearing                                  | 0602     |
| Toric seal  | 0641     |
| Rubber washer                                       | 0760     |
| Clips   | 0776     |
| Washer & bolt for fan                               | 0777     |
| Wall bracket  | 0862     |
| Strain relief 230 V                                 | 0950     |
| Strain relief 115 V                                 | 0950.1   |
| Bearing holder + seal                               | 1185     |
| ID label 230 V                                      | 1093     |
| ID label 115 V                                      | 1094     |
| Fan housing Alu                                     | 45125    |
| Fan housing Plastic                                 | 45125.P  |
| Double isolation plate                              | 45126    |
| Lower bearing assembly                              | 45130    |
| Lower motor casing                                  | 45132    |
| Upper motor casing                                  | 45133    |
| Stator 230 V  | 45135    |
| Stator 115 V  | 45135.1  |
| Stator screws(2)                                    | 45137    |
| Braces (4)  | 45138    |
| Brace screws (4)                                    | 45139    |
| Cutter blade w/ screw                               | 45161    |
| Squeezing washers (4)                               | 45230    |
| Handle cap (2)                                      | 45610    |
| Circuit board 230 V                                 | 45620    |
| Circuit board 115 V                                 | 45620.1  |
| Regulation circuit board + screws + insulating part | 45630    |
| Foot assembly w/ bearing assembly                   | 45631    |
| Shaft & ball bearing                                | 45632    |
| Fan DSC   | 45633DSC |
| DSC Complete foot assembly                          | 45635    |
| Top housing (orange plastic piece)                  | 45706    |
| Screws control case set                             | 45706.1  |
| Lower housing (orange plastic piece)                | 45707    |
| Handle cap protector (unit)                         | 45708    |





## Parts list

## Code

| Parts list                             | Code       |
|--|------------|
| Upper motor casing                     | 45709DSC   |
| Handle cap protector (unit)            | 45710      |
| Complete housing w/ screws             | 45711      |
| Complete control casing 230V           | 45712      |
| Complete control casing 115V           | 45712.1    |
| Lower housing                          | 45831      |
| Rotor 230 V                            | 45835      |
| Rotor 115 V                            | 45835.1    |
| Motor 230 V                            | 45836 DSC  |
| Motor 115 V                            | 45836.1DSC |
| Sleeve & complete handle & label & cap | 46000      |
| Ball bearing ring                      | 7912       |
| Power cord 230 V                       | 9011.1     |
| Motor & shaft drive sprocket           | 9028       |
| Power cord 115 V                       | 9040.1     |
| Coupling casing + pin                  | 9051       |
| Power cord (Australian)                | 9066.1     |
| Power cord (English)                   | 9067.1     |
| Lower bearing screws (3)               | 9902       |