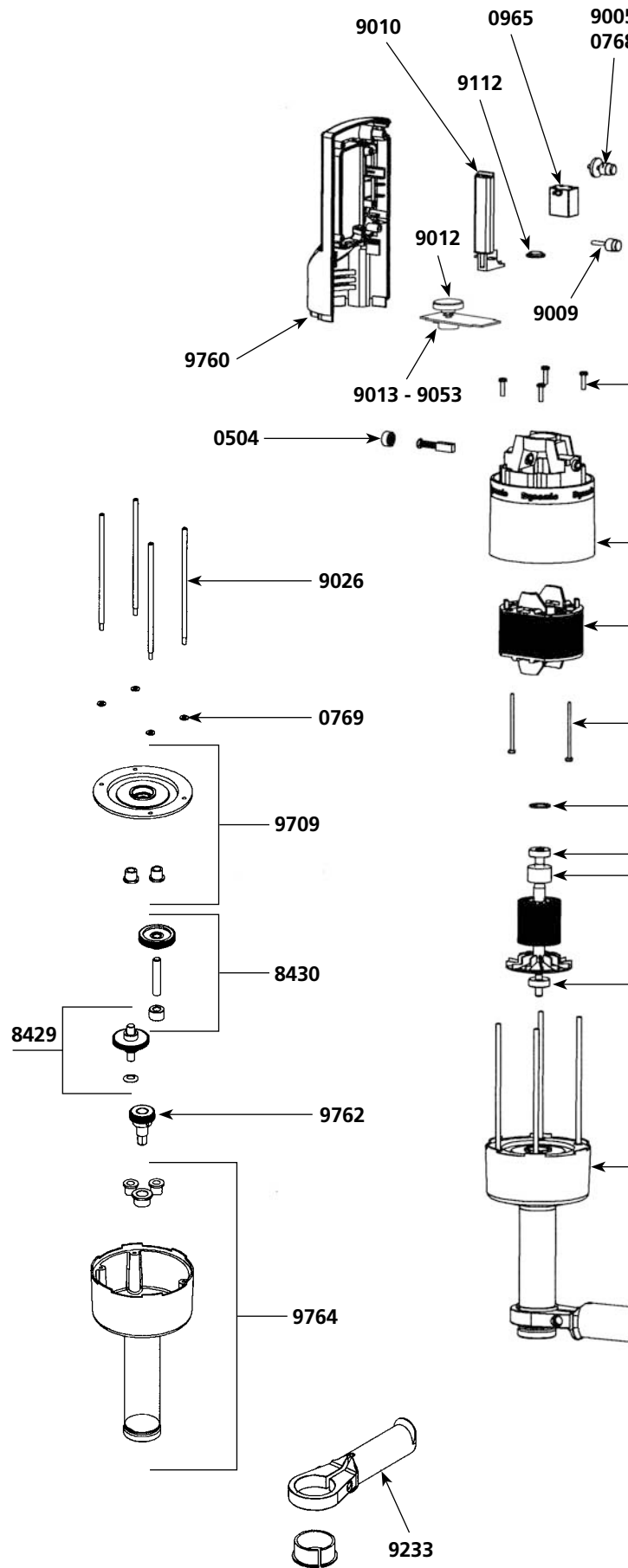


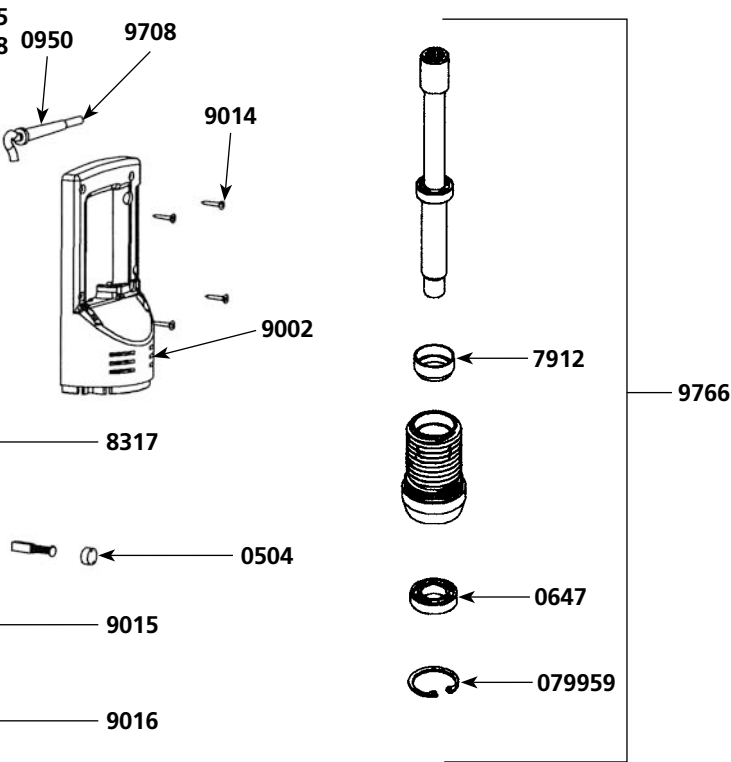
# PP 97 PLUS MOTOR BLOCK

| Parts list                           | Code    |
|--------------------------------------|---------|
| Carbon brushes                       | 0504    |
| Ball bearing                         | 0601    |
| Rubber washer                        | 0726    |
| Safety button return spring          | 0768    |
| Strain relief 230 V                  | 0950    |
| Strain relief 115 V                  | 0950.1  |
| Switch                               | 0965    |
| Capacitor (115 V)                    | 0972    |
| Capacitor + filter                   | 0972.1  |
| Dynamic label                        | 1027    |
| Identification plate 230 V           | 109913  |
| Identification plate 115 V           | 109914  |
| Rotor 115 V                          | 7908.31 |
| Rotor 230 V                          | 7908.32 |
| Fan                                  | 7933    |
| Brace screws                         | 8317    |
| Upper half handle                    | 9002    |
| Security cap                         | 9005    |
| Handle cap                           | 9009    |
| Control lever                        | 9010    |
| Variable speed knob                  | 9012    |
| Variable speed control board 230 V   | 9013    |
| Handle screw                         | 9014    |
| Top housing                          | 9015    |
| Stator 230 V                         | 9016    |
| Stator screws 230 V (2)              | 9023    |
| Stator 115 V                         | 9038    |
| Carbon brush wires (230 V)           | 9043    |
| Variable speed control board 115 V   | 9053    |
| Knob (115 V)                         | 9112    |
| Carbon brush wires (115 V)           | 9143    |
| Power cord 230 V                     | 9708    |
| Power cord 115 V                     | 9708.1  |
| Lower half handle 230 V (with label) | 9760    |
| Lower half handle 115 V (with label) | 9760.1  |
| Lower motor housing                  | 9761    |
| Complete handle w/ power cord 230 V  | 9765    |
| Complete handle w/power cord 115 V   | 9765.1  |

## PP97 plus equipped lower carter

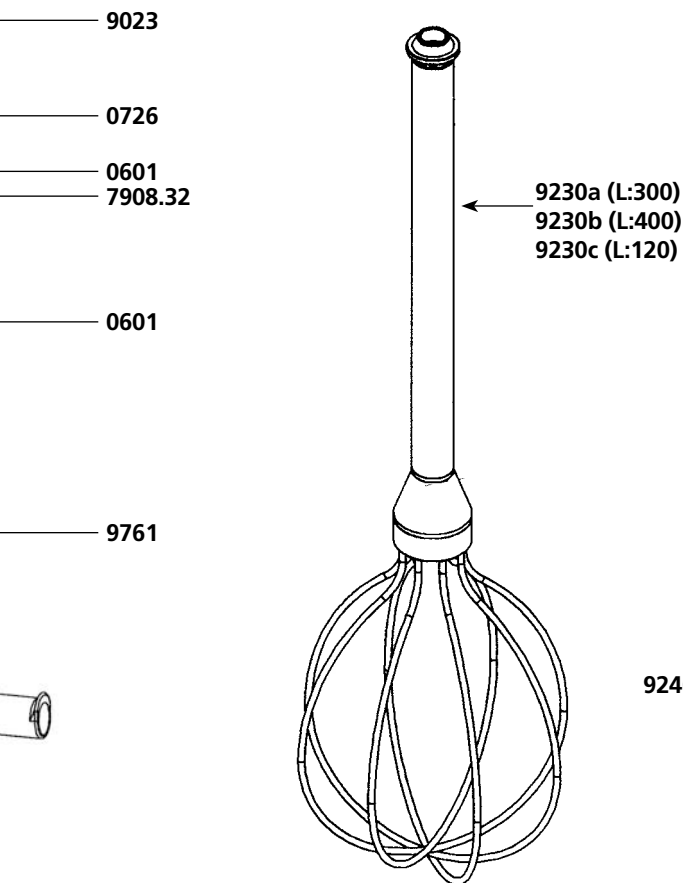
| Parts list                       | Code |
|----------------------------------|------|
| M4 Washer                        | 0769 |
| Double gear with washer          | 8429 |
| Middle gear axle                 | 8430 |
| Braces                           | 9026 |
| Handle support                   | 9233 |
| Plate w/ 2 seals                 | 9709 |
| Exit shaft w/ gear               | 9762 |
| Aluminium carter, foot and seals | 9764 |





### PP97 plus / FM97 Whisk tool

| Parts list  | Code   |
|---|--------|
| D15 Bearing   | 0647   |
| Rubber ring   | 079959 |
| Ball bearing  | 7912   |
| Mono whisk L : 300  | 9230a  |
| Mono whisk L : 400  | 9230b  |
| Mono whisk L : 120  | 9230c  |
| Equipped male casing (shaft, bearing seal, ball bearing, rubber ring) | 9766   |



### AP 97 Ricer tool

| Parts list   | Code |
|--|------|
| Waterproof seal  | 0609 |
| Rubber washing   | 0830 |
| Fan  | 0835 |
| Friction washer  | 0836 |
| Ricer grid   | 0842 |
| Bearing seal   | 7912 |
| Antifriction seal  | 8422 |
| Lower bolt   | 8423 |
| Equipped male casing, bearing seal, tube and complete lever assembly | 9240 |
| Exit shaft   | 9241 |

