

Are Your Food Costs Out of Control?

Actual Food Cost

Desired Food Cost



Gain Control with Accurate Portioning!

PPC-100

with Over/Under Indicator

by **Yamato**

Over/Under Indicator

Long Battery Life

Application

Perfect for any situation where fast and easy portion control is desired. PPC-100's portability and versatility allows you to customize it to any application.

Features

- Over/Under Indicator
- Stainless Steel Platform
- Large LCD Display
- Battery Operation
- Auto Zero Setting Mechanism
- Initial Zero Setting Mechanism
- Auto Shut-Off
- Push Button

On, Off, Net/Gross, Tare, & Unit Toggle

- LCD Indicators
Net/Gross, Center of Zero, Stable, & Low Battery



PPC-100 with Analog Meter

Options

- Analog Meter with 3 Preset Memory
- AC Adaptor

Light Weight and Portable

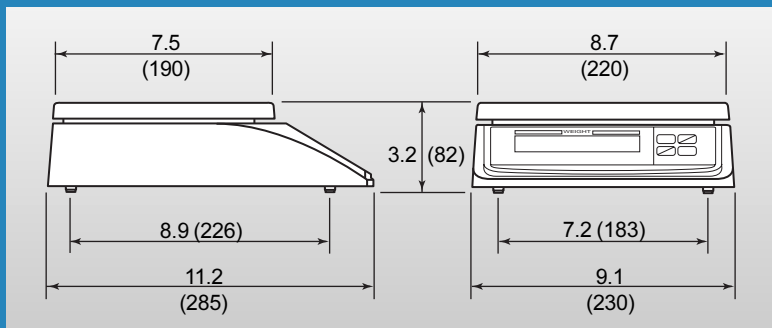
Removable Stainless Steel Platform

Specification

Model	PPC-100	
Accuracy Class	Class III 1000 Divisions	
Certificate of Conformance #	98-125	
Capacity and Division	<i>Decimal Pound</i>	<i>Decimal Kilogram</i>
	2 lb x 0.002 lb	1 kg x 0.001 kg
	5 lb x 0.005 lb	2 kg x 0.002 kg
Capacity and Division	<i>Continous Ounce</i>	<i>Decimal Kilogram</i>
	40 oz x 0.05 oz	1 kg x 0.001 kg
	80 oz x 0.1 oz	2 kg x 0.002 kg
Capacity and Division	<i>Pound / Ounce</i>	<i>Decimal Kilogram</i>
	2 lb 8 oz x 0.05 oz	1 kg x 0.001 kg
	5 lb x 0.1 oz	2 kg x 0.002 kg
Capacity and Division	10 lb x 0.2 oz	5 kg x 0.005 kg
	<div style="border: 1px solid black; padding: 2px; display: inline-block;"> lb/oz NOT Legal for Trade </div>	
	10 lb x 0.2 oz	5 kg x 0.005 kg
Weighing System	Strain Gauge Load Cell	
Platform	7.5 x 8.7 (190 x 220); Stainless Steel	
Indicator	Liquid Crystal Display: 5 Digits plus Indicators Character size: 0.9 x 0.5 (22 x 12)	
Power Supply	9 Volt DC; 6 "D" size batteries (not included) AC Adaptor (optional)	
Battery Life	1000 Hours of Continuous Use (alkaline bateries)	
Operating Temp.	23 °F — 94 °F (-5 °C — +35 °C)	
Shipping Weight	8 lb (3.6 kg)	

All weights and dimensions are approximate. Dimensions are given in inches and (millimeters).

Dimensions



Indicator \ Keypad

