



Oil Caddy

Model: OC-90

*Extra large capacity (90lbs.)
portable waste oil pickup and
disposal unit*



Standard Features:

- Tank constructed of stainless steel.
- Unit provides up to 90 lb oil capacity.
- Bidirectional vane pump allows for easy pickup and disposal of used cooking oil.
- Fluoroelastomer pump shaft seal resists degradation from pumping hot cooking oil.
- Pump can transfer up to 90 lbs of oil in less than 2 minutes.
- Removable tank cover permits easy cleaning of tank.
- Unit supplied with 54 inch, high temperature, long life hose.
- Wand allows pickup of oil from the top of the vat. This avoids breading clogs of the pump as in competitor's units which are drained into from the bottom of the fry vat.
- Balanced transport position, eight inch wheels, and dual handles provide for ease in transport.

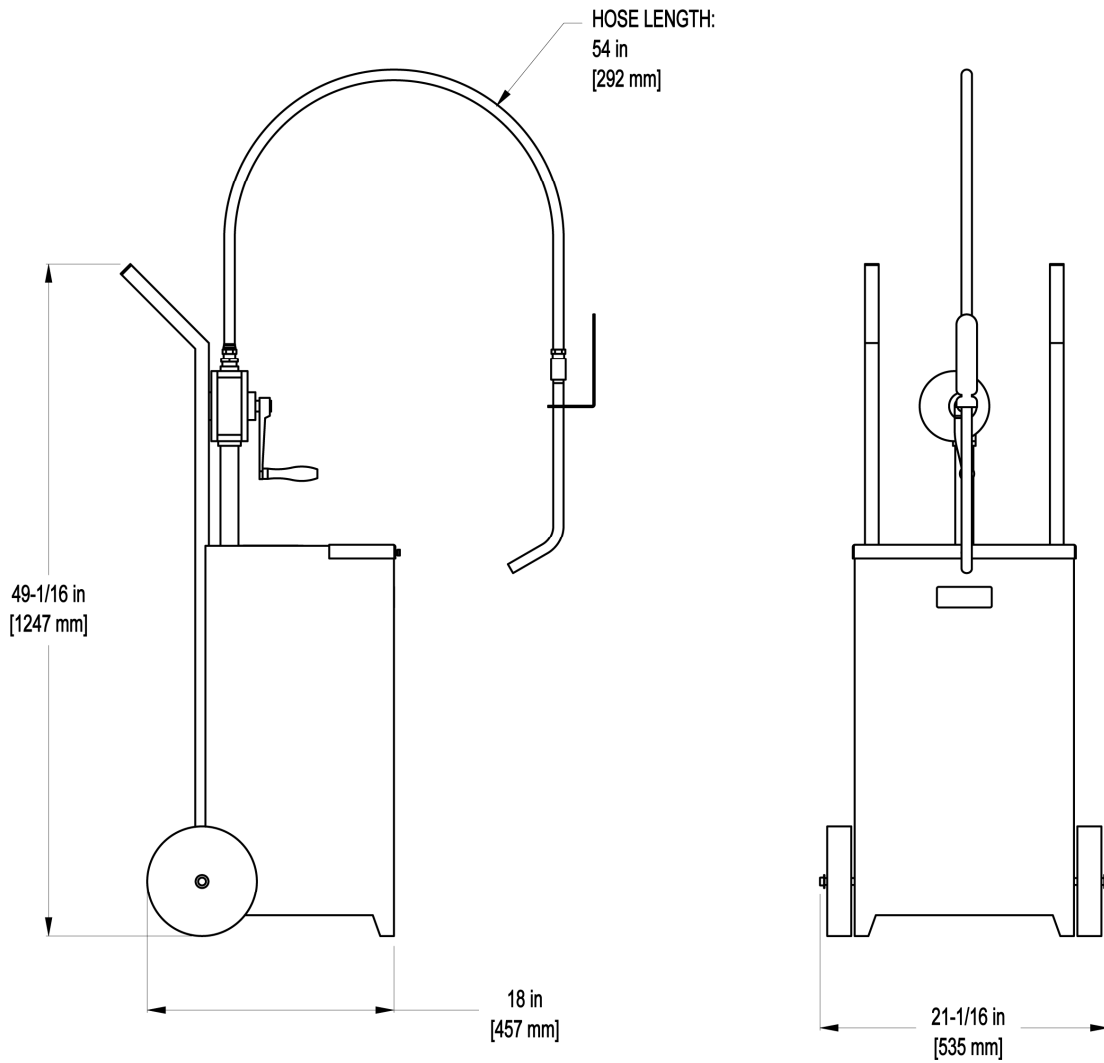
BKI North America
PO Box 80400
Simpsonville, SC 29680-0400 USA
Telephone: (864) 963-3471
Toll Free: (800) 927-6887

BKI Europe
Theale Technology Centre
Station Road • Theale
Reading • West Berkshire • RG7 4AA
Telephone: 0870 9904242 • Fax: 0870 9904243

 **Standex**
Food Service Equipment Group

Oil Caddy (OC-90)

Equipment Dimensions:



Mechanical Specifications:

Dimension	Uncrated	Crated
Height	49-1/16" [1247 mm]	28-1/2" [724 mm]
Width	21-1/16" [535 mm]	56" [1422 mm]
Depth	18" [457 mm]	32" [813 mm]
Floor Space	.25 sq. m (2.7 sq. ft)	1.1 sq. m (12 sq. ft)
Weight	75 lbs, 34 kg	100 lbs, 45.4 kg

BKI North America
PO Box 80400
Simpsonville, SC 29680-0400 USA
Telephone: (864) 963-3471
Toll Free: (800) 927-6887

BKI Europe
Theale Technology Centre
Station Road • Theale
Reading • West Berkshire • RG7 4AA
Telephone: 0870 9904242 • Fax: 0870 9904243

 **Standex**
Food Service Equipment Group