

## Parts list

## Code

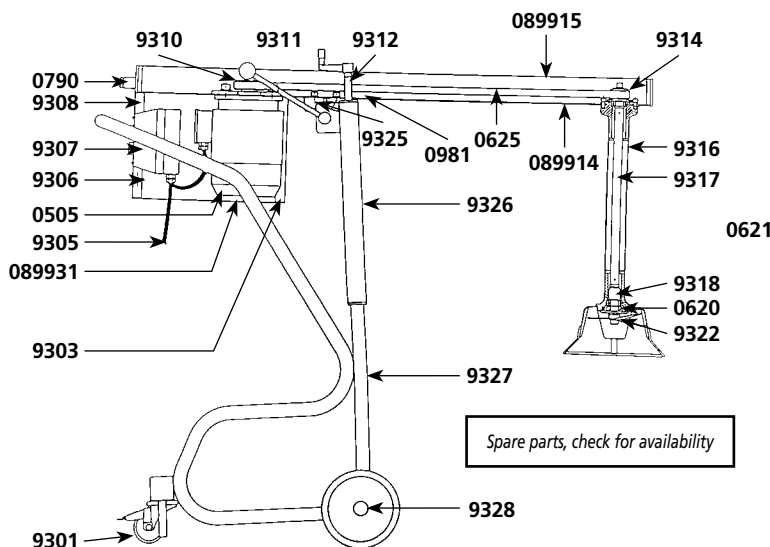
Circlips	0758
Fork break nut	0784
Wing nut	0785
Fork axle	0883
Connecting rod axle	0884
Blade axle	0885
Thickness wedge	0886
Connecting rod	0889
Knife blade	0891
Tray	1190
Fork	3700
Connecting rod concave washer	079933
Fork concave washer	079934
Brake nut washer	079935
Fork washer	079936
Blade plastic washer	079937

# GM93 MIXER

## Parts list

## Code

Motor 230 V	0505
Motor 115 V	0518
Waterproof seal	0620
Lower or upper ball bearing	0621
Transmission belt	0625
Plastic handle	0790
Pole	0899.14
Hood pole	0899.15



## Parts list

## Code

Side hood	0899.31
Magnetic switch	0981
Wheel with brake	9301
Front hood	9303
Power cord (380V)	9305
Hood screw w/ plastic washer (unit)	9306
Switch w/ control box	9307
Switch w/ control box	9307.1
Back hood	9308
Motor pulley	9310
Squeezing handle	9311
Level adjustment handle	9312
Shaft pulley	9314
Foot assembly	9316
Main shaft	9317
Lower shaft	9318
Cutter blade	9322
Rubber holders (3)	9325
Fork	9326
Frame	9327
Front wheel	9328