

delicell

Digital Computing Scales

A compact and durable, price computing scale...



...at the right price!

Yamato

Quality Construction

The Delicell Price Computing Scale combines the latest microprocessor based technology with a vibrating wire load cell for maximum accuracy and durability. The Delicell, with its large (13 3/4" x 9 5/8") stainless steel platform, is USDA accepted. Under the platform, special shock absorbing pads give protection to the load cell.

Compact and Portable

Weighing only 11 pounds, with batteries, the Delicell is easily moved from one location to another. Four sturdy, levelling legs insure firm, level support of the scale for maximum weighing accuracy.

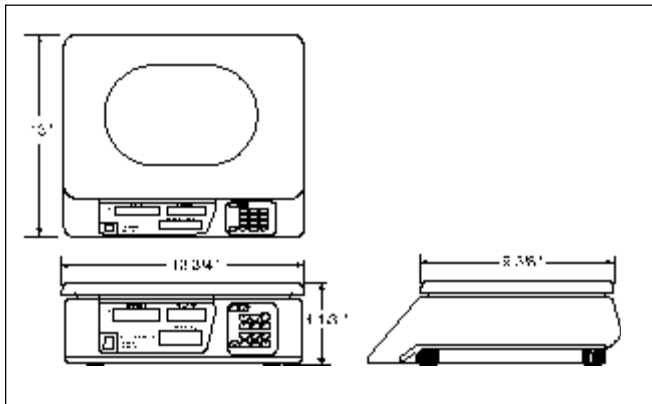
Battery Operation

Over 400 hours of continuous operation with only 4 "D" batteries. A programmable auto-shutoff feature extends battery life. An optional AC adapter is available.

Easy to Use

The large 1/2" x 1/4" LCD's can be read from a distance. The water resistant, membrane keyboard has large buttons for easy operation. The Delicell's compact size allows the user to place it in almost any location.

Dimensions



Features

The Delicell offers a wide array of valuable features:

- push-button tare
- preset tare
- push-button zero reset
- programmable auto-shutoff
- compact and light
- large, 13 3/4" x 9 5/8", stainless steel platform
- long battery life
- optional AC adapter
- water resistant keypad
- low battery indicator
- tare indicator
- zero indicator
- NTEP approved! (C. of C. #95112)
- USDA accepted!

The operating temperature range is 32°F to 104°F (0°C to 40°C).

Capacity

Maximum Capacity	Minimum Increment
20 lb	0.01 lb
10 kg	0.005 kg

Limited Warranty

Comprehensive one year limited warranty (subject to our standard terms and conditions) against defects in parts and workmanship, under normal conditions of installation, maintenance, and usage.

Service and Maintenance

Service and maintenance are available at hundreds of Yamato dealers throughout the United States and Canada.

Yamato

YAMATO CORPORATION

P.O. Box 60159
 Colorado Springs, CO
 80960-0159 U.S.A.
 Phone (719) 527-1500
 Fax (719) 576-0498

YAMATO TECH CORPORATION

#112-19425 Langley By-Pass
 Surrey, B.C. V3S 6K1
 Canada
 Phone (604) 533-2338
 Fax (604) 533-0827