

DP-6100GP

Versatile Indicator

Large, Easy-to-Read Display

Tiltable Indicator

Over/Under Weighing



Stainless Steel Housing

Wide Capacity Range

USDA Accepted

Large, Rugged Platform



by **Yamato**

Versatile Indicator Large, Rugged Platform

Features

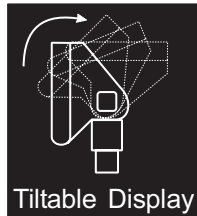
- Extra Large LCD Display
- Over/Under Indicator
- Stainless Steel Platform
- Automatic Zero Setting Mechanism
- Initial Zero Setting Mechanism
- Preset or Push Button Tare
- Battery Operation
- Auto Shut-Off
- NEMA 4 Water Rating (when battery operated)
- Legal-for-Trade
- USDA Accepted
- Tiltable and Rotatable Indicator
 - Push Button Keys
On, Off, Tare,
Net/Gross, Clear,
& LB/KG Unit Toggle
 - LCD Indicators
Net/Gross, Stable,
Tare, Center of Zero,
Low Battery, & Over/Under



with Journal Printer

Options

- Journal Printer
- AC Adaptor



Applications

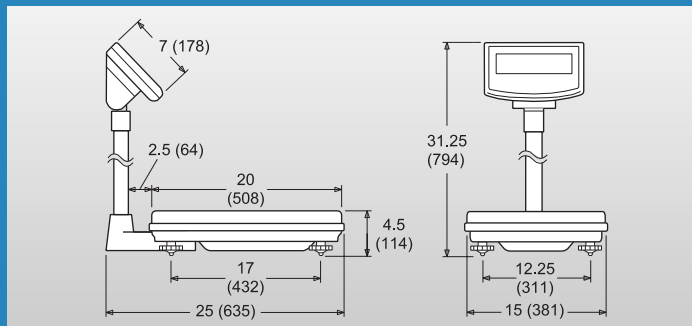
An excellent, easy-to-use, digital scale for general purpose weighing and accurate check-weighing. DP-6100GP's extra large display makes it easy to read from any angle or distance.

Specifications

Model	DP-6100GP	
Capacity and Division	Decimal Pound	Decimal Kilogram
	60 lb x 0.02 lb	30 kg x 0.01 kg
	150 lb x 0.05 lb	60 kg x 0.02 kg
	300 lb x 0.1 lb	150 kg x 0.05 kg
Accuracy Class	Class III 3000 Divisions	
Certificate of Conformance #	96-102 A1	
Weighing System	Strain Gauge Load Cell	
Platform	20 x 15 (508 x 381); Stainless Steel	
Display	Liquid Crystal Display: 5 Digits plus Indicators Character Size: 1.5 x 8.0 (38 x 20)	
Maximum Taring	Full Capacity	
Battery Life	1000 Hours (using Alkaline Batteries)	
Power Supply	DC 6 Volt; 4 D-Cell Batteries (not included) Optional AC Adaptor	
Operating Temp.	23 °F — 104 °F (-5 °C — +40 °C)	
Shipping Weight	45 lb (20 kg)	

All weights and dimensions are approximate. Dimensions are give in inches and (millimeters).

Dimensions



Indicator \ Keypad



Yamato

Yamato Corporation
P.O. Box 15070
Colorado Springs, CO 80935-5070
U.S.A.
Tel (719) 591-1500
Fax (719) 591-1045

Yamato Tech Corporation
#112-19425 Langley By-Pass
Surrey, B.C. V3S 6K1
Canada
Tel (604) 533-2338
Fax (604) 533-0827