



Power Belt Production Slicer

Key Features:

- Ideal for volume slicing needs of small wholesale, large retail and in-store bakeries
- Power belt in-feed speeds production process
- Production capacity of up to 600 loaves/hour
- 48" (1,219mm) in-feed chute • Slices up to 16" wide loaves
- Blade advantages:
 - Uses the lowest cost replacement blades in the industry, contributing to low cost of ownership-Easily replaceable, independently mounted, rust-resistant blades
 - Blade replacement only takes one hour of labor, the lowest in the industry
- Designed for trouble-free, smooth and quiet operation
- Rust and corrosion resistant



Model 797
shown with optional power belt



Oliver Packaging & Equipment Company
(800) 253-3893 • (616) 356-2950 • www.oliverquality.com



Manufactured in the U.S.A.



Power Belt Production Slicer

SPECIFICATIONS:

Motor:

1/2H.P., single phase, 60Hz, 115 VAC,
7 AMPS Special electrics also available

Length:

Loaves up to 16" (406mm)

Height:

2 1/4" (57mm) to 5" (127mm)

Finish:

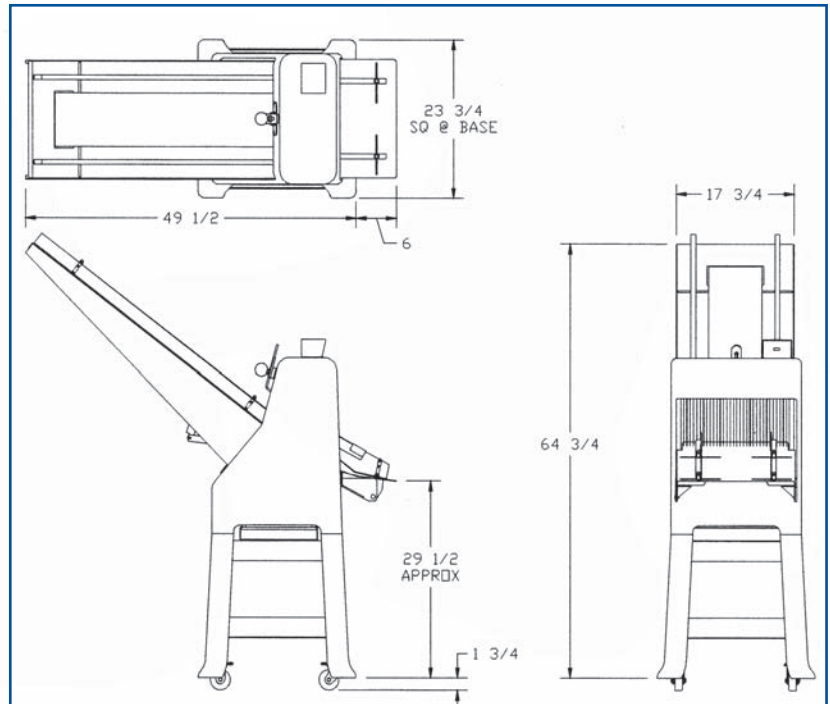
Stainless steel contact components and
food-safe materials throughout

Slice Spacing:

Standard: 3/8" (10 mm), 7/16" (11 mm),
1/2" (13 mm), 5/8" (16 mm)

Also available at extra cost:

9/16" (14 mm), 11/16" (17mm), 3/4" (19 mm),
13/16" (21mm), 7/8" (22 mm), or 1" (25 mm)



Optional:

Swing-Away Bagger

A hinged mounting attaches the Model 1179S Swing Away Bagger to 16" (406mm) Oliver 797 Power Belt Production Slicer. The bagger swings to the side, giving access to the slicer for cleaning, maintenance or blade change. No separate mounting tables are required, saving valuable floor space. The bagger is 13" (330mm) wide, 41" (1,041mm) long and has a shipping weight of 50 pounds (23kg).

Shipping Weight: 48" chute (1,219mm)

16" (406mm) 375lbs. (170kg)

Height: 67" (1,702mm)

Width 16" (406mm) 23 3/4" (603mm)

Width 21" (533mm) 29 1/4" (743mm)

Depth: 49" (1,245mm)

The information contained herein is correct to the best of our knowledge. The recommendations or suggestions are made without guarantee or representation as to results.

Above specifications subject to change without notice.

Manufactured in the U.S.A.

