



## Front Load Standard Slicer

### Key Features:

- Perfect for on-demand slicing of hard-crustrated breads and soft-textured sandwich loaves
- Small footprint – less than 24” wide
- Large bread capacity - up to 16” loaves
- Easy-to-operate, with convenient, front-mounted push button controls
- Front-mounted bagging scoop that adjusts for smaller loaves makes for convenient bagging
- Blade advantages:
  - Uses the lowest cost replacement blades in the industry, contributing to low cost of ownership
  - Easily replaceable, independently mounted, rust-resistant blades
  - Blade replacement only takes one hour of labor, the lowest in the industry
- Smooth, quiet operation with minimal vibration



Front-Load Slicer with optional stainless steel stand



The information contained herein is correct to the best of our knowledge. The recommendations or suggestions are made without guarantee or representation as to results.

Above specifications subject to change without notice.



**Manufactured in the U.S.A.**



Oliver Packaging & Equipment Company  
(800) 253-3893 • (616) 356-2950 • [www.oliverquality.com](http://www.oliverquality.com)



# Front Load Standard Slicer

## SPECIFICATIONS:

### Motor:

1/2 H.P., single phase, 60Hz, 115 VAC, 7 AMPS;  
230 VAC, 3.5 AMPS (additional charge)  
Special electrics also available

### Capacities:

16" (406 mm) long X 9" (228 mm) wide X  
5 1/2" (140 mm) high

### Finish:

Stainless steel contact components and  
food-safe materials throughout

### Slice Spacing:

Standard: 3/8" (10 mm), 7/16" (11 mm),  
1/2" (13 mm), 5/8" (16 mm)

Also available at extra cost: 9/16" (14 mm),  
3/4" (19 mm), 7/8" (22 mm), or 1" (25 mm)

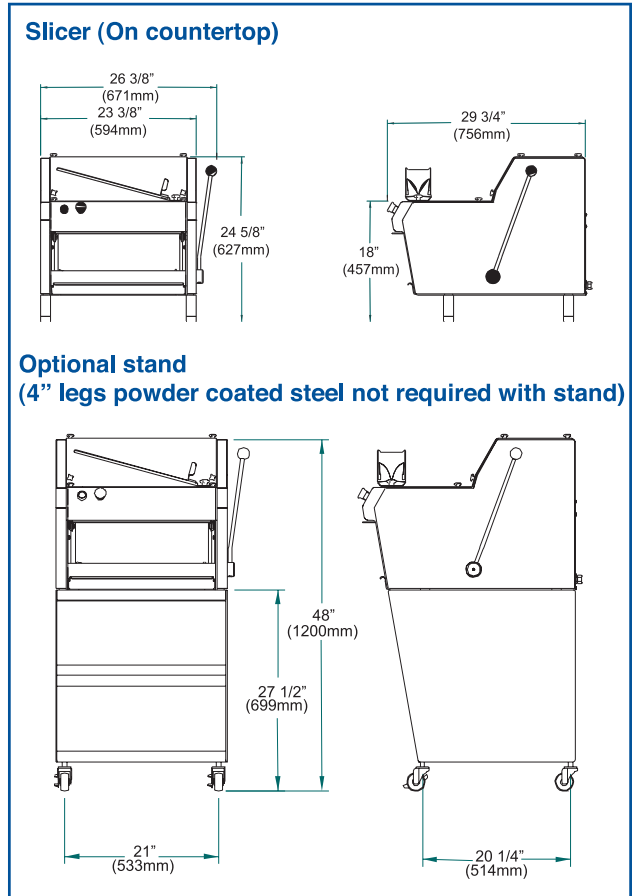
### Dimensions (see drawings at right):

### Shipping weight:

300 lbs. (135 kg)

### Net Weight:

250 lbs. (114 kg)



The information contained herein is correct to the best of our knowledge. The recommendations or suggestions are made without guarantee or representation as to results.

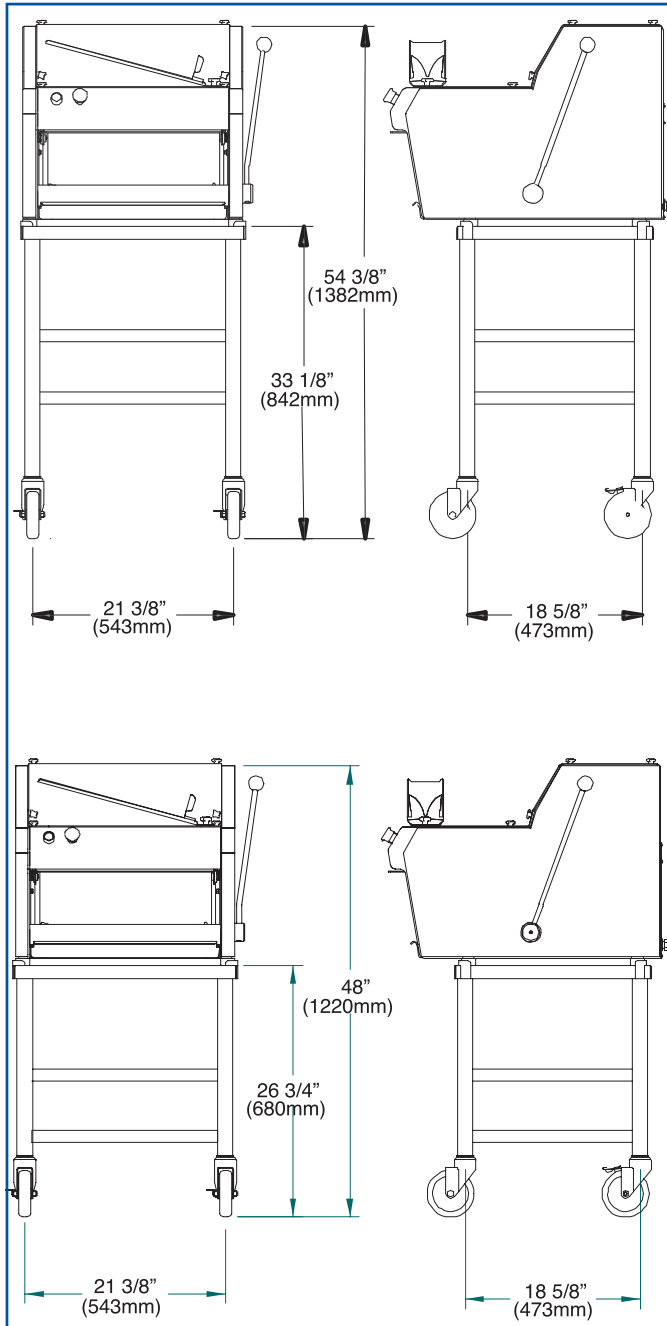
Above specifications subject to change without notice.

**Manufactured in the U.S.A.**





## Optional Front Load Standard Slicer Stands



Optional 33 1/8" stainless steel stand  
(4" legs not required with stand)

Optional 26 3/4" stainless steel stand  
(4" legs not required with stand)

The information contained herein is correct to the best of our knowledge. The recommendations or suggestions are made without guarantee or representation as to results.

Above specifications subject to change without notice.

**Manufactured in the U.S.A.**

