



702 Wall-Hugger Return Chute

Key Features:

- ETL and NSF approved accessory for the 702 -N Bagel and Bun Slicer
- Easy to clean, durable bakery white powder coat finish on frame; stainless steel chute
- Chute holds approximately one dozen bagels
- Flip-up discharge door for efficient packaging and cleaning
- Increases countertop space for P.O.S. or other production equipment



The information contained herein is correct to the best of our knowledge. The recommendations or suggestions are made without guarantee or representation as to results.

Above specifications subject to change without notice.

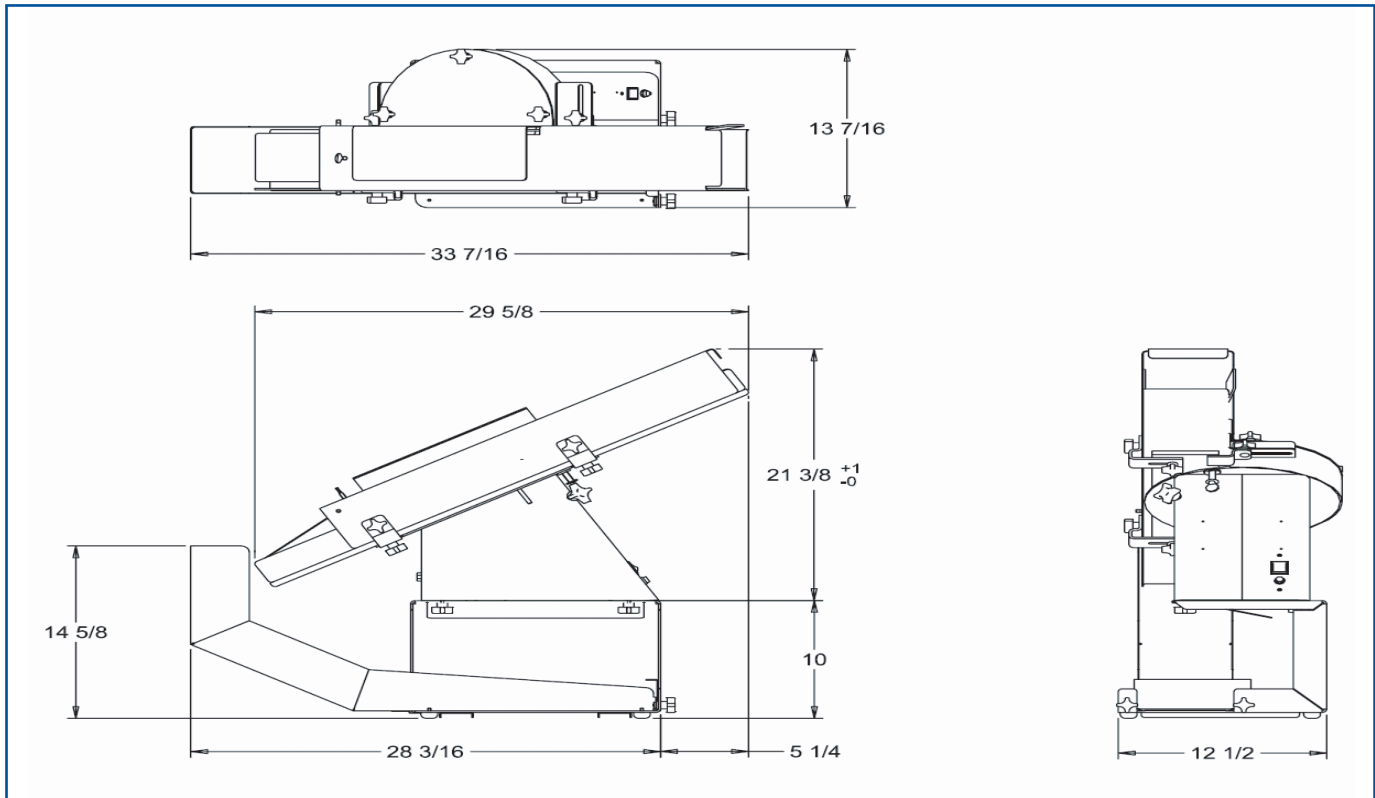
Manufactured in the U.S.A.



Oliver Packaging & Equipment Company
(800) 253-3893 • (616) 356-2950 • www.oliverquality.com



702 Wall Hugger Return Chute



Return chute is not to be used for sub buns or baguettes.

The information contained herein is correct to the best of our knowledge. The recommendations or suggestions are made without guarantee or representation as to results.

Above specifications subject to change without notice.

Manufactured in the U.S.A.



Oliver Packaging & Equipment Company
(800) 253-3893 • (616) 356-2950 • www.oliverquality.com