



## Bun Divider

### Key Features:

- Constructed of cast iron and cast aluminum
- Sanitary stainless steel pan included
- Model 623 divides dough into 36 pieces up to 4 oz. (113g) each
- Model 623-16 divides dough into 16 pieces up to 8 oz. (227g) each
- Optional stand available



**623 with Optional Stand**

The information contained herein is correct to the best of our knowledge. The recommendations or suggestions are made without guarantee or representation as to results.

Above specifications subject to change without notice.



**Manufactured in the U.S.A.**



Oliver Packaging & Equipment Company  
(800) 253-3893 • (616) 356-2950 • [www.oliverquality.com](http://www.oliverquality.com)



## Bun Divider

### SPECIFICATIONS:

#### Shipping Weight:

150 lbs. (68kg)

#### Net Weight:

135 lbs. (61kg)

#### Height:

41" (1,041mm)

#### Width:

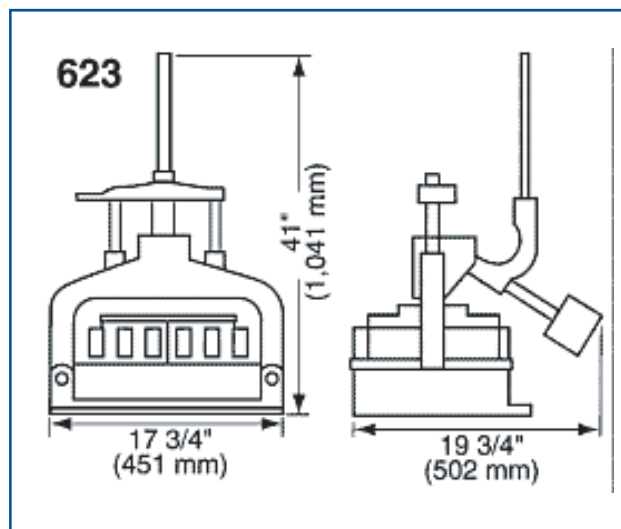
17 3/4" (451mm)

#### Length:

19 3/4" (502mm)

#### Optional:

floor stand with casters



The information contained herein is correct to the best of our knowledge. The recommendations or suggestions are made without guarantee or representation as to results.

Above specifications subject to change without notice.

**Manufactured in the U.S.A.**



Oliver Packaging & Equipment Company  
 (800) 253-3893 • (616) 356-2950 • www.oliverquality.com