



**MODEL 4436 SERIES**

**HEAVY DUTY STAINLESS STEEL  
BREAKING AND FABRICATING POWER CUTTERS**



**Model 4436  
Design 1B**



**Model 4436  
Design 3**



**Model 4436  
Design 5**



**Model 4436  
Design 9**



**Model 4436  
Design 11**



**Model 4436  
Design 7**



**Model 4436  
Design 5E-3**



**Model 4436  
Design 13B**

***Food Processing Equipment***

*Reliable Products Since 1921*

***The Biro Manufacturing Company***

*1114 W. Main Street*

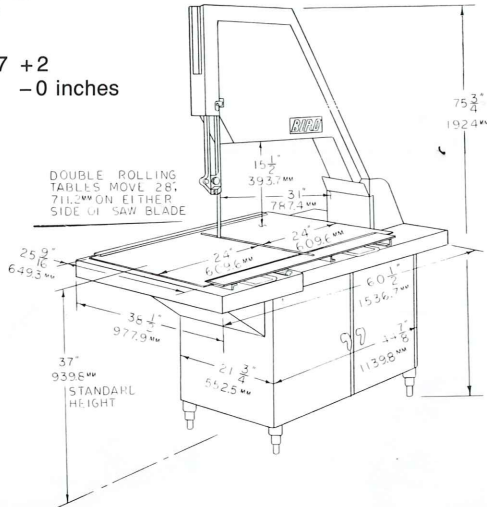
*Marblehead, OH 43440-2099 U.S.A.*

*(419) 798-4451*

*Fax: (419) 798-9106*

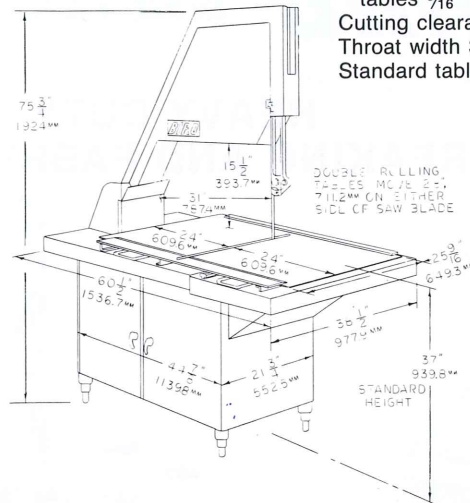
### BIRO® Model 4436 Design 1B Breaking Cutter

Right-hand feed  
 Inside and outside moving flat top  
 tables  $\frac{3}{16}$ " x  $25\frac{9}{16}$ " x 48"  
 Cutting clearance  $15\frac{1}{2}$ "  
 Throat width 31"  
 Standard table height 37 + 2  
 - 0 inches



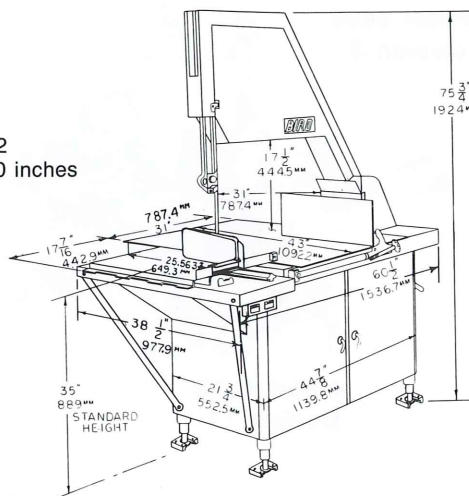
### BIRO® Model 4436 Design 2B-TL Breaking Cutter

True left-hand feed cutter  
 Inside and outside moving flat top  
 tables  $\frac{3}{16}$ " x  $25\frac{9}{16}$ " x 48"  
 Cutting clearance  $15\frac{1}{2}$ "  
 Throat width 31"  
 Standard table height 37 + 2  
 - 0 inches



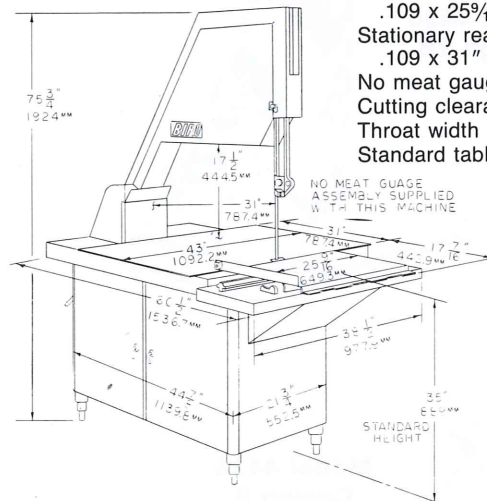
### BIRO® Model 4436 Design 3 Breaking & Fabricating Cutter

Right-hand feed  
 Movable front table  
 .109 x  $25\frac{9}{16}$ " x  $17\frac{7}{16}$ "  
 Stationary rear table  
 .109 x 31" x 43"  
 Meat gauge plate assembly  
 Cutting clearance  $17\frac{1}{2}$ "  
 Throat width 31"  
 Standard table height 35 + 2  
 - 0 inches



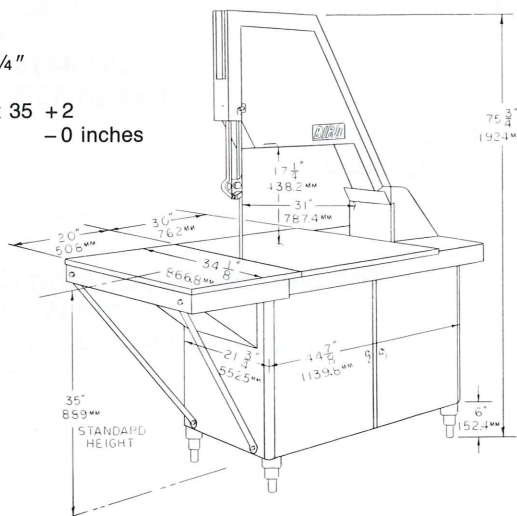
### BIRO® Model 4436 Design 4TL Breaking & Fabricating Cutter

True left-hand feed  
 Movable front table  
 .109 x  $25\frac{9}{16}$ " x  $17\frac{7}{16}$ "  
 Stationary rear table  
 .109 x 31" x 43"  
 No meat gauge plate assembly  
 Cutting clearance  $17\frac{1}{2}$ "  
 Throat width 31"  
 Standard table height 35 + 2  
 - 0 inches



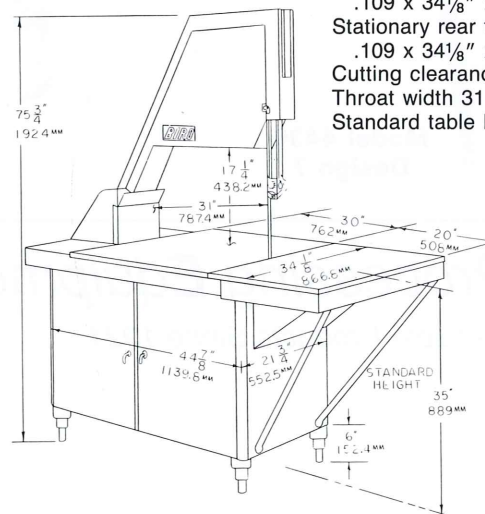
### BIRO® Model 4436 Design 5 Breaking Cutter

Right-hand feed  
 Stationary front table  
 .109 x  $34\frac{1}{8}$ " x 20"  
 Stationary rear table  
 .109 x  $34\frac{1}{8}$ " x 30"  
 Cutting clearance  $17\frac{1}{4}$ "  
 Throat width 31"  
 Standard table height 35 + 2  
 - 0 inches



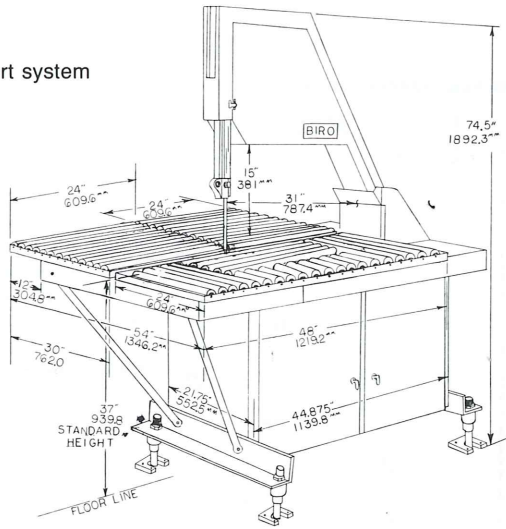
### BIRO® Model 4436 Design 6TL Breaking Cutter

True left-hand feed  
 Stationary front table  
 .109 x  $34\frac{1}{8}$ " x 20"  
 Stationary rear table  
 .109 x  $34\frac{1}{8}$ " x 30"  
 Cutting clearance  $17\frac{1}{4}$ "  
 Throat width 31"  
 Standard table height 35 + 2  
 - 0 inches



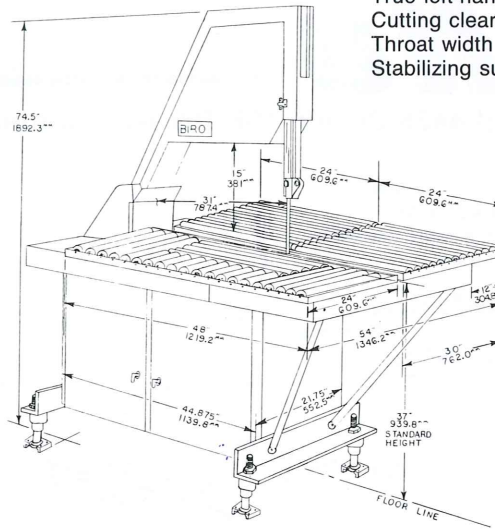
### BIRO® Model 4436 Design 5E-3 Breaking Cutter

Roller conveyor tops  
 Right-hand feed  
 Cutting clearance 15"  
 Throat width 31½"  
 Stabilizing support system



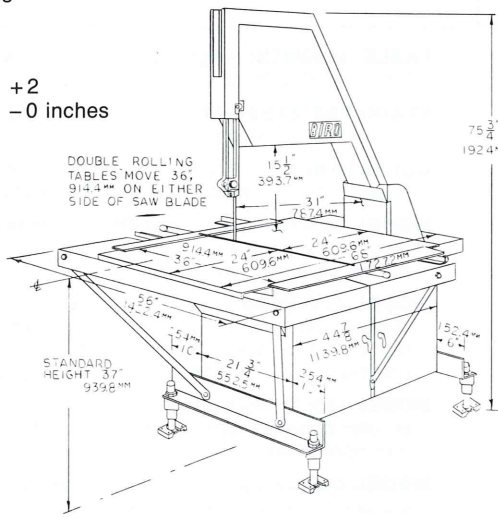
### BIRO® Model 4436 Design 6E-3-TL Breaking Cutter

Roller conveyor tops  
 True left-hand feed  
 Cutting clearance 15"  
 Throat width 31⅓"  
 Stabilizing support system



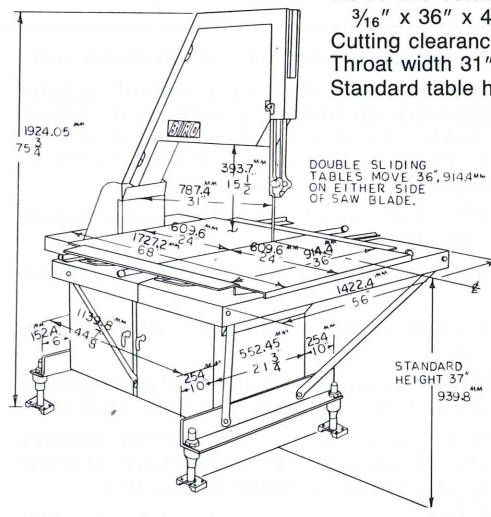
### BIRO® Model 4436 Design 9 Breaking Cutter with stabilizing supports optional.

Right-hand feed  
 Inside and outside moving tables  
 ⅜" x 36" x 48"  
 Cutting clearance 15½"  
 Throat width 31"  
 Standard table height 37 +2  
 -0 inches



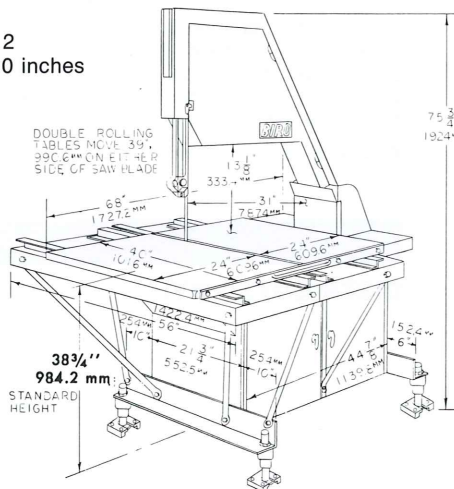
### BIRO® Model 4436 Design 10TL Breaking Cutter with stabilizing supports optional.

True left-hand feed  
 Inside and outside moving tables  
 ⅜" x 36" x 48"  
 Cutting clearance 15½"  
 Throat width 31"  
 Standard table height 37 +2  
 -0 inches



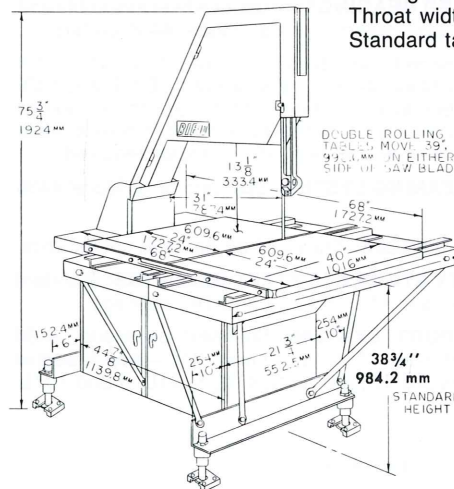
### BIRO® Model 4436 Design 11 Breaking Cutter

Right-hand feed  
 Inside and outside moving tables  
 reinforced ⅜" x 40" x 48"  
 Stabilizing supports system standard  
 Cutting clearance 13⅛"  
 Throat width 31"  
 Standard table height 38¾ +2  
 -0 inches



### BIRO® Model 4436 Design 12TL Breaking Cutter

True left-hand feed  
 Inside and outside moving tables  
 reinforced ⅜" x 40" x 48"  
 Stabilizing supports system standard  
 Cutting clearance 13⅛"  
 Throat width 31"  
 Standard table height 38¾ +2  
 -0 inches





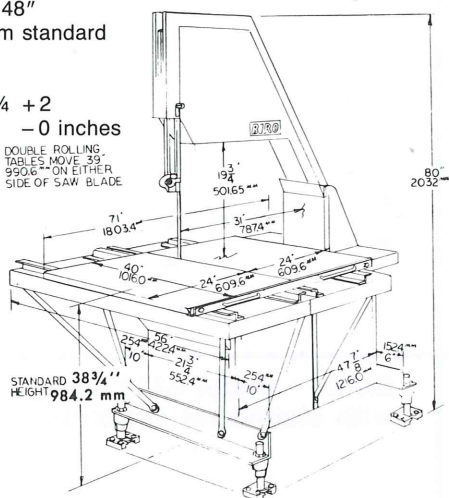
# SPECIFICATIONS MODEL 4436

## BIRO® Model 4436 Design 13B Breaking Cutter

Right-hand feed  
 Inside and outside moving tables  
 reinforced  $\frac{3}{16}$ " x 40" x 48"  
 Stabilizing supports system standard  
 Cutting clearance  $19\frac{3}{4}$ "  
 Throat width 31"  
 Standard table height  $38\frac{3}{4}$  + 2  
 - 0 inches

Blade .022 x  $178\frac{1}{2}$  ±  $\frac{1}{4}$ "

DOUBLE ROLLING  
 TABLES MOVE 39"  
 990.6" ON EITHER  
 SIDE OF SAW BLADE

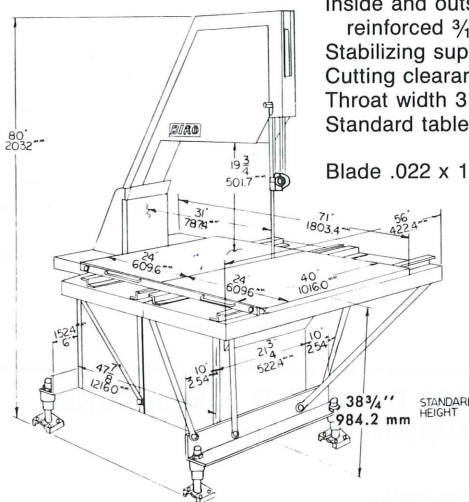


## BIRO® Model 4436 Design 14B-TL Breaking Cutter

True left-hand feed  
 Inside and outside moving tables  
 reinforced  $\frac{3}{16}$ " x 40" x 48"  
 Stabilizing supports system standard  
 Cutting clearance  $19\frac{3}{4}$ "  
 Throat width 31"  
 Standard table height  $38\frac{3}{4}$  + 2  
 - 0 inches

Blade .022 x  $178\frac{1}{2}$  ±  $\frac{1}{4}$ "

DOUBLE ROLLING  
 TABLES MOVE 39"  
 990.6" ON EITHER  
 SIDE OF SAW BLADE



**MACHINE FINISH:** Stainless steel construction standard on all units.

**MOTOR:** 3 HP, 208-220-440 volts, 50-60 cycle, 3 phase industrial type encapsulated motor—standard on all 4436 cutters except Design Series 13-14TL, 15 and 16TL. 5 HP, 3 phase waterproof motor available for any Model 4436 cutter. 5 HP waterproof motor standard on Designs 13, 14TL, 15 and 16TL.

**SWITCH:** 3 HP or 5 HP, rated magnetic thermal overload with under voltage control—watertight push button control station.

**OPTION:** Second watertight push button station opposite operator available.

**DRIVE SYSTEM:** Dual non slipping V-belt system—standard on all Model 4436 cutters.

**MOTOR COMPARTMENT:** Sealed from meat contact areas accessible by removing motor panel. Standard on all Model 4436 units.

**CLEANING UNITS:** Longer life carbide guide bearings, stainless steel saw cleaners, and wheel cleaners all removable as a unit for easy cleaning—standard on all Model 4436 cutters.

**UPPER BLADE GUIDE:** Upper guide assembly removable steel guide with long life carbide back up guide insert—standard on all Model 4436 cutters.

**POLYURETHANE WASTE CONTAINERS:** Extra large, easily removed for cleaning—standard on all Model 4436 cutters.

**BLADE TENSION ADJUSTMENT:** Gear type cam control embodying pound tested spring loaded tension. Standard on all right-hand Model 4436 cutters.

**HEAVY DUTY ROLLER BEARINGS:** In upper wheel assembly and lower bearing housing—standard on all Model 4436 cutters.

**BLADE:** 3 point, hardened blade type, .025 164 1/2" + 1/4" - 0" x 5/8"—standard on all Model 4436 cutters except on D13B and 14B-TL. Other type blades available from .016 to .035 thick. Guides may be changed accordingly. Optional net extra: 1 inch wide blade and appropriate guides and wheels—5 HP motor required.

**DOUBLE BLADE CLEANING SYSTEM:** Standard on all Model 4436 cutters.

**STAINLESS STEEL TABLES:** Standard on all 4436 series units.

**EXTRA HEAVY DUTY STAINLESS STEEL BEARINGS:** Standard on Model 4436 Designs 11, 12TL, 13 and 14T carriage.

**STABILIZING SUPPORT SYSTEM:** Standard on Model 4436 Designs 5E3 and 6E3-TL, 11, 12TL, 13 and 14TL—also available on Model 4436 Designs 1B, 2B-TL, 3, 4TL, 5, 6TL, 9 and 10TL.

**TABLE HEIGHTS:** Heights other than shown are available on all Model 4436 cutters upon request.

**STAINLESS STEEL LEGS:** With floor discs and floor bolt down plates—standard on all Model 4436 cutters.

**ACCEPTANCE:** U.S.D.A., N.S.F., C.S.A. All Model 4436 cutters shown. Meets applicable O.S.H.A. standards.

**MODEL 4436 Designs 1B and 2B-TL—breaking cutter—applicable for pork breaking, beef flank removal, rib cutting—a space saver for the small purveyor.**

**MODEL 4436 Designs 3 and 4TL—dual purpose breaking and retail cutter—conventional type cutter for quarter breaking and retail fabricating of beef, pork and lamb by small processors and commissaries—Design 4TL less meat gauge plate assembly.**

**MODEL 4436 Designs 5 and 6TL—breaking cutter—stationary tables or roller conveyor tops for beef, pork and lamb breaking and heavy trim operations.**

**MODEL 4436 Designs 7 and 8TL—breaking cutter—special breaking unit for automated plants.**

**MODEL 4436 Designs 9 and 10TL—breaking cutter for high volume beef and lamb quarter breaking when used with a product drop table.**

**MODEL 4436 Designs 11 and 12TL—breaking cutter for high volume beef quarter breaking—product drop table not necessarily required.**

**MODEL 4436 Designs 13B and 14B-TL—breaking cutter with  $19\frac{3}{4}$ " cutting clearance for high volume beef quarter breaking—product drop table not necessarily required.**

The Biro Manufacturing Company custom builds over 85 right- and left-hand feed Model 4436 cutters, not considered standard, to meet special customer needs. For assistance in the design of a cutter to meet special requirements, contact The Biro Manufacturing Company, Marblehead, Ohio 43440-2099.

All specifications contained herein are subject to change without notification.

**DISTRIBUTED BY:**