

**New Brunswick International, Inc.**

**MODEL 330 IK SA US**

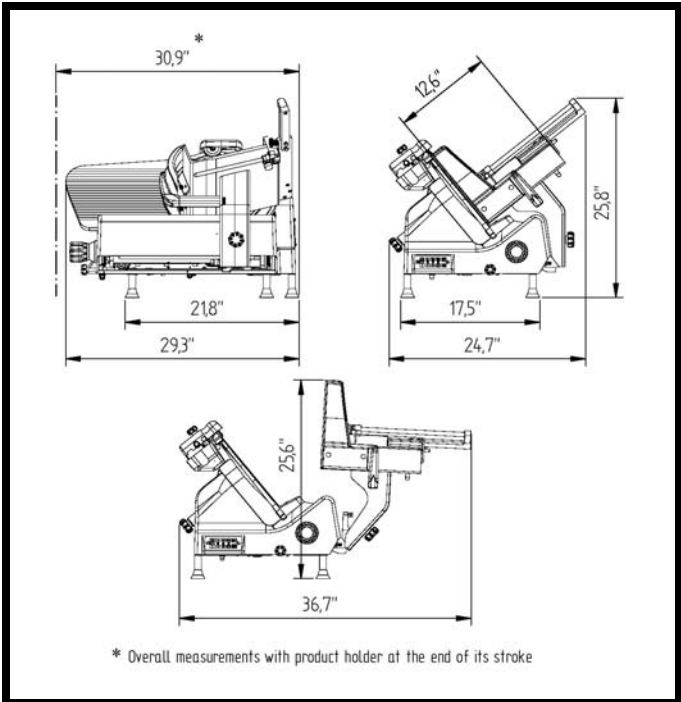


# 13" SEMI-AUTOMATIC GRAVITY SLICING MACHINE

DESCRIPTION	BENEFIT
• Gear driven motor	• Stress resistant and long lasting
• Blade with enhanced cutting section	• Precision cutting & minimizes waste
• Built in blade sharpener	• Easy to use; precise sharpening increases blade life
• Large plate with long stroke	• Increased cutting capacity for large items
• Wide Platform with smooth edges	• Increases stability & makes it easy to clean
• Reduced loading height	• Easy to load / reduces operator strain
• Enhanced knife cover	• Operator safety & cleaner working area
• Electrical protection IPX3	• Easy to clean, wash through design saves time and \$
• Multiple custom Semi-Automatic settings	• Enhances stroke length, speed and productivity

Optional Features
Teflon coated blade
Teflon coated slice thickness plate & blade cover
Carriage with self-locking clamping device
Certifications
UL
NSF
Dir. 98/37/CEE e 89/336/CEE
Dir. 73/23 CEE
EN 1974

BLADE SIZE
330 MM BLADE / 13 INCH BLADE



**New Brunswick International, Inc.**  
**76 Veronica Avenue**  
**Somerset, NJ 08873**  
**732-828-3633 or [www.nbidigi.com](http://www.nbidigi.com)**