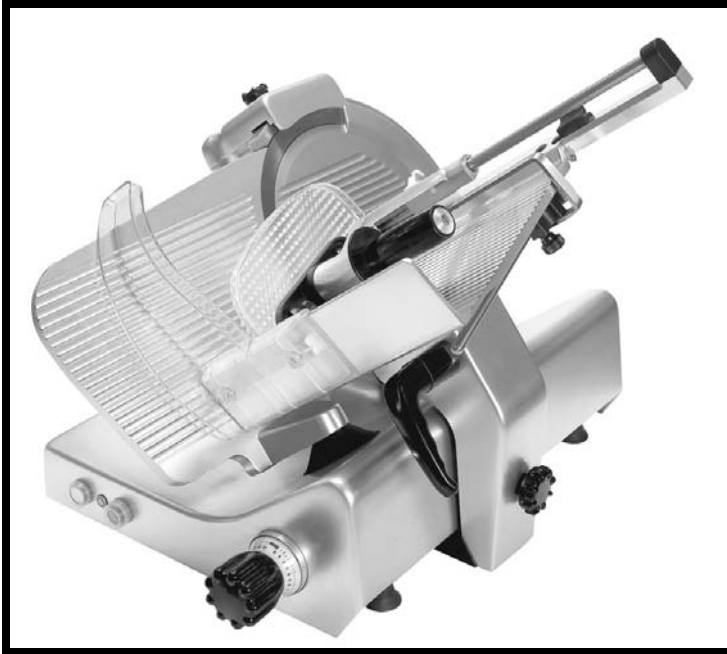


**New Brunswick International, Inc.**

**MODEL 330 IK US**



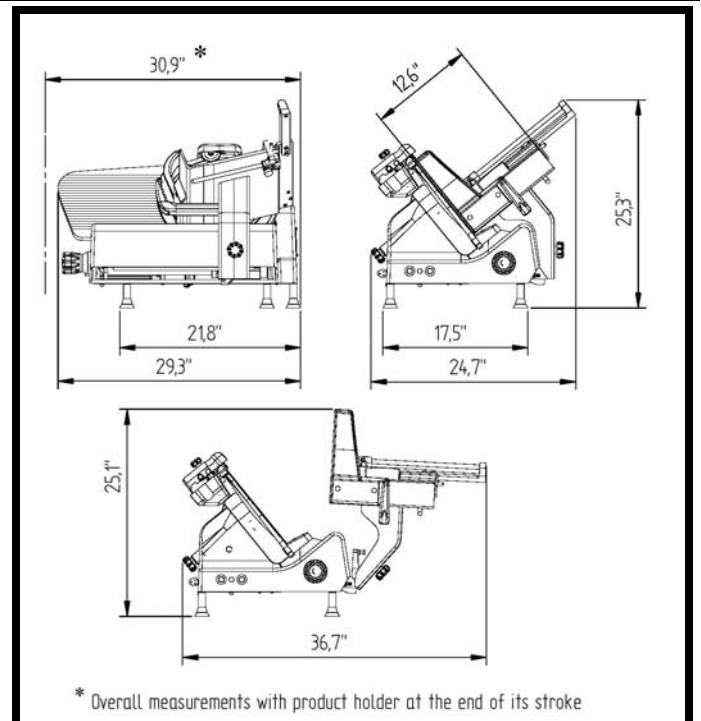
# MANUAL GRAVITY SLICING MACHINE

DESCRIPTION	/	BENEFIT
-------------	---	---------

• Gear driven motor		• Stress resistant and long lasting
• Blade with enhanced cutting section		• Precision cutting & minimizes waste
• Built in blade sharpener		• Easy to use; precise sharpening increases blade life
• Large plate with long stroke		• Increased cutting capacity for large items
• Wide Platform with smooth edges		• Increases stability & makes it easy to clean
• Reduced loading height		• Easy to load / reduces operator strain
• Enhanced knife cover		• Operator safety & cleaner working area
• Electrical protection IPX3		• Easy to clean, wash through design saves time and \$

Optional Features
Teflon coated blade
Teflon coated slice thickness plate & blade cover
Removable aluminum meat press
Carriage with self-locking clamping device
Certifications
UL
NSF
Dir. 98/37/CEE e 89/336/CEE
Dir. 73/23 CEE
EN 1974

BLADE SIZE
330 MM BLADE / 13 INCH BLADE



**New Brunswick International, Inc.**  
**76 Veronica Avenue**  
**Somerset, NJ 08873**  
**732-828-3633 or [www.nbidigi.com](http://www.nbidigi.com)**